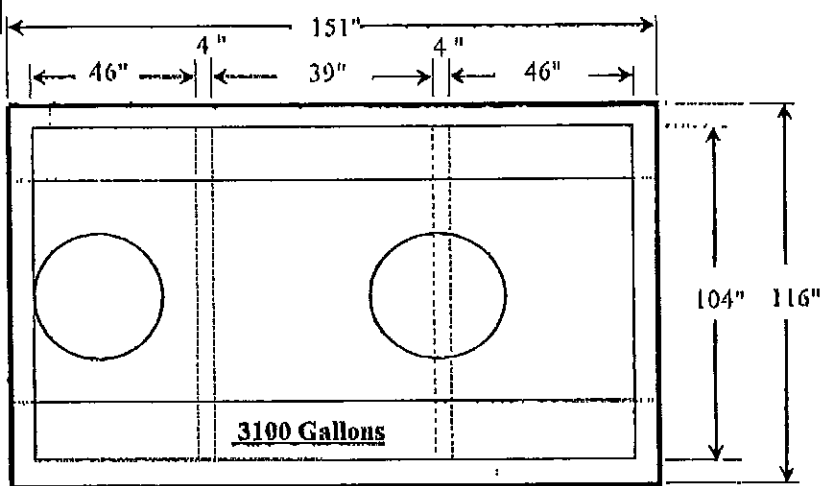


Faxed 11/18/04

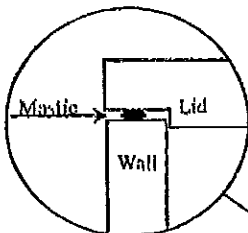
**3000 Gallon
2-Compartment Grit Tank**

Property of: Del Zotto Products of Minnesota, Inc.
 1900 County Road #1, Wrenshall, MN 55797 (218) 384-3066 Office
 Do Not duplicate, Do Not reproduce without written permission.

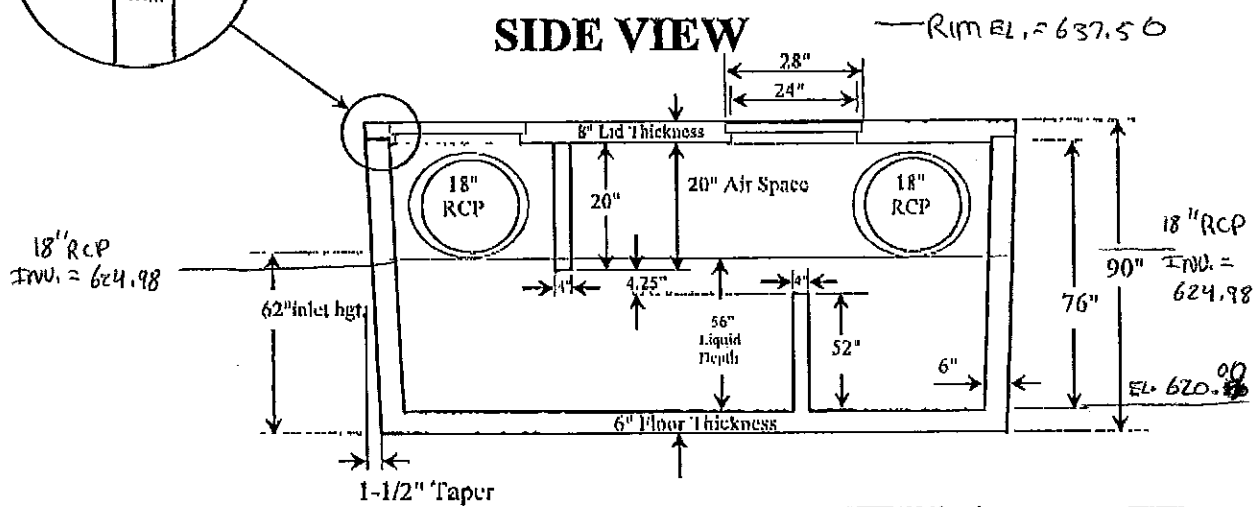
TOP VIEW



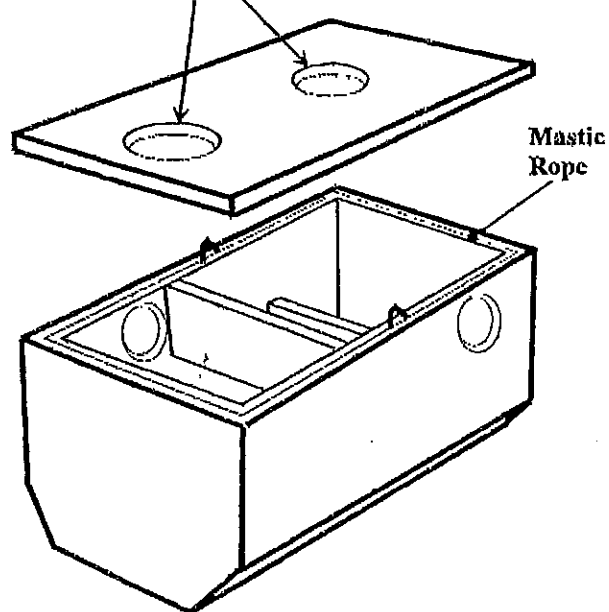
Enlarged Detail



SIDE VIEW



Manhole Openings



This is proprietary information, and remains the property of Del Zotto Products of Minnesota, Inc. These Drawings and Dimensions have been drawn especially for:

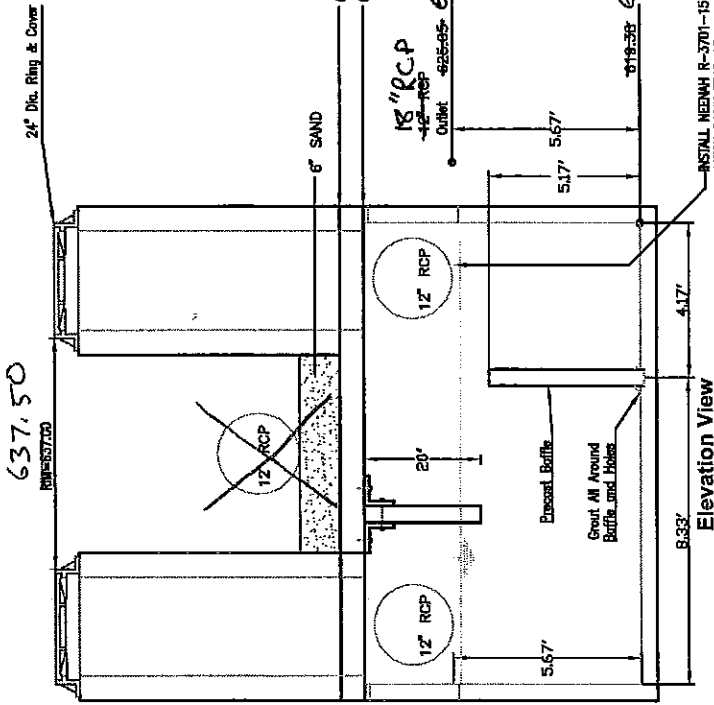
Short Elliott Hendrickson, Inc.
 831 E. 2nd Street
 Duluth, MN 55805
 218-722-0547
 Fax 218-722-1514

Drawing Approved By: *MB*
 Date Approved: *11/18/04*

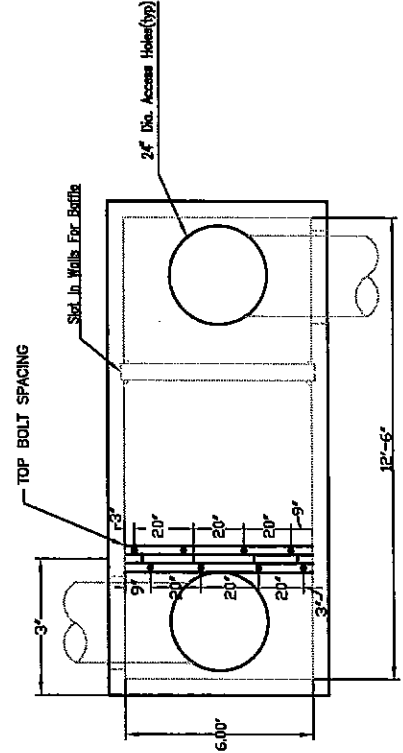
The Company/Persons named above shall be given written permission upon purchase of the Concrete Form to duplicate and promote sales literature on this septic tank by:

Del Zotto Products of Minnesota, Inc.

3100 - Gallon 2-Compartment Grit Tank
 Drawing: DZ-3000 Special
 Drawing by: BJK Date: 11-17-04



18" RCP
12" RCP
Inlet 625.85
624.98



GRIT CHAMBER TYPE 2 DETAIL
NO SCALE

11.11' 18" RCP @ 1.00 %

IN = 624.98

GRET
CHAMBER

OUT = 624.98

18" RCP

18" RCP

18" RCP

INL 125B (48" MH).
TC = ~~636.58~~ 637.20
INV IN (E) = 625.19
INV IN (S) = 625.78
INV OUT (W) = 625.09
INV OUT (N) = 633.15