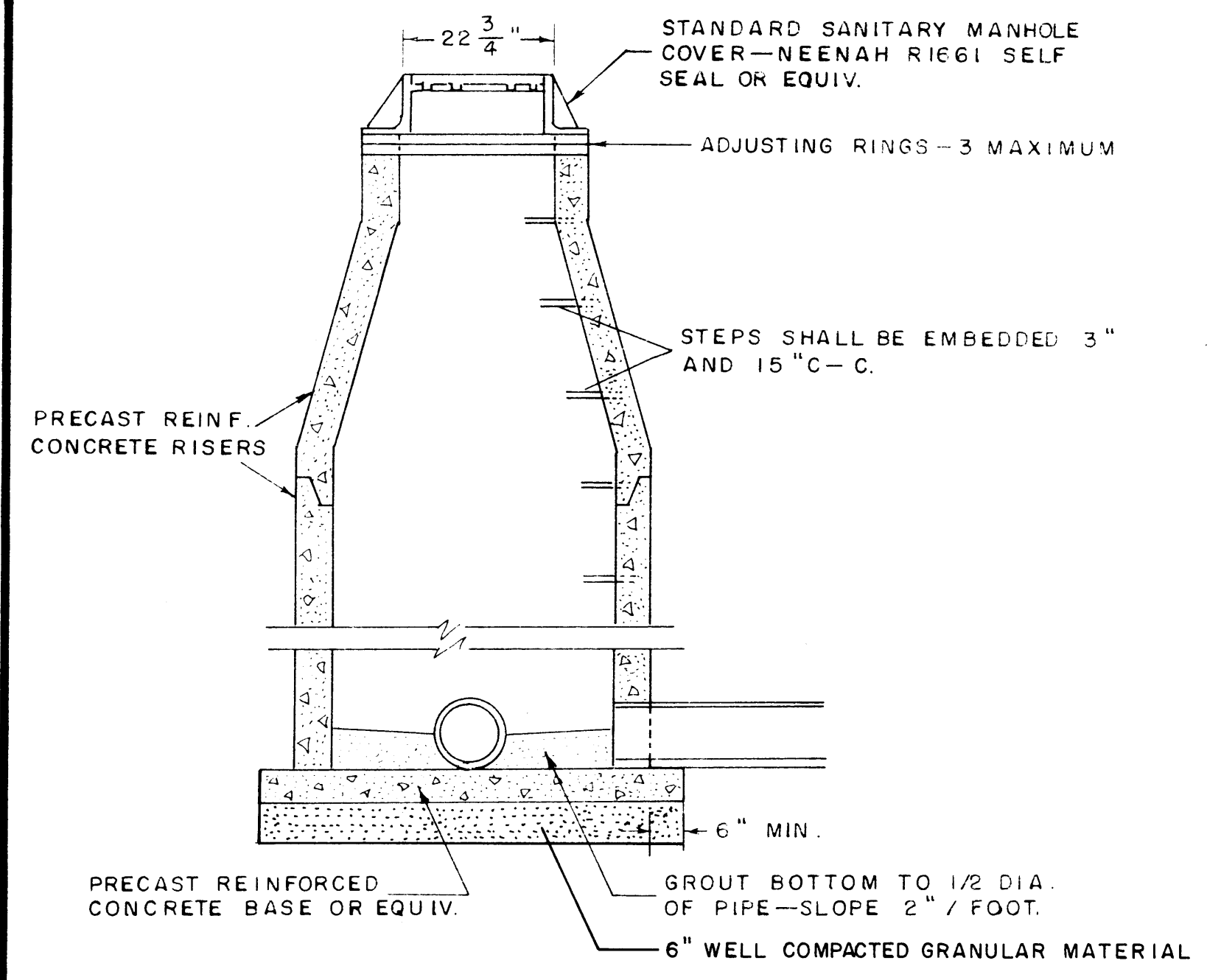
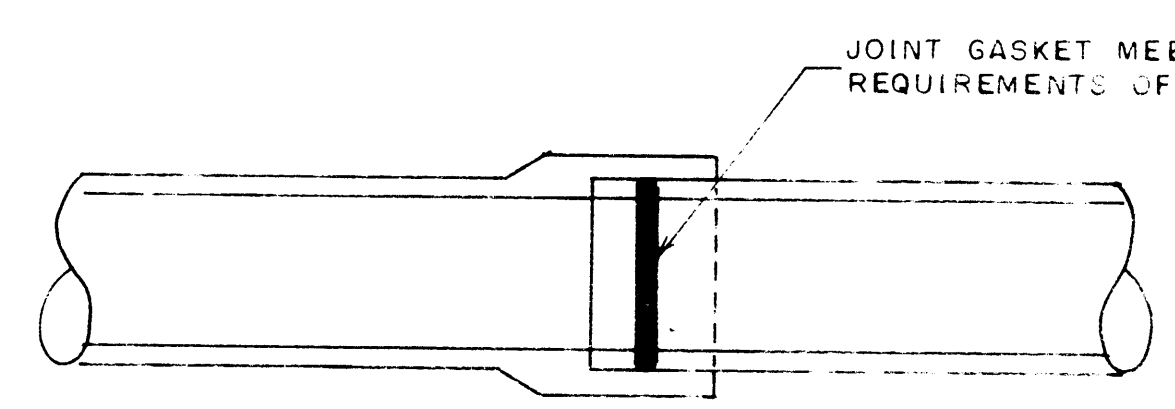


TYPICAL MANHOLE DETAIL
 (ECCENTRIC CONE)



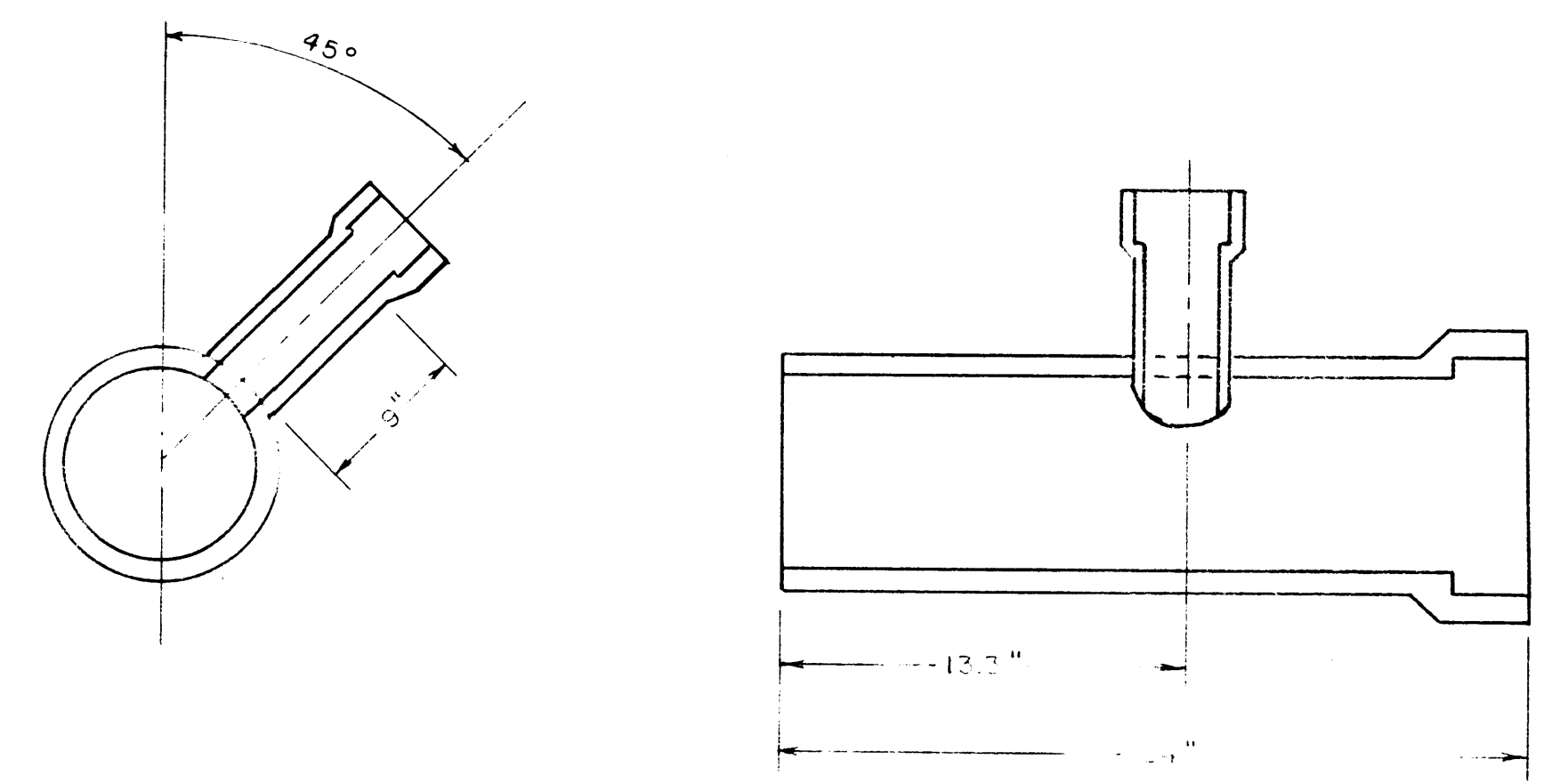
PRECAST CONCRETE MANHOLE
 (CONCENTRIC CONE)



LONGITUDINAL SECTION FOR PIPE WITH P.V.C. SEWER PIPE JOINT DETAIL

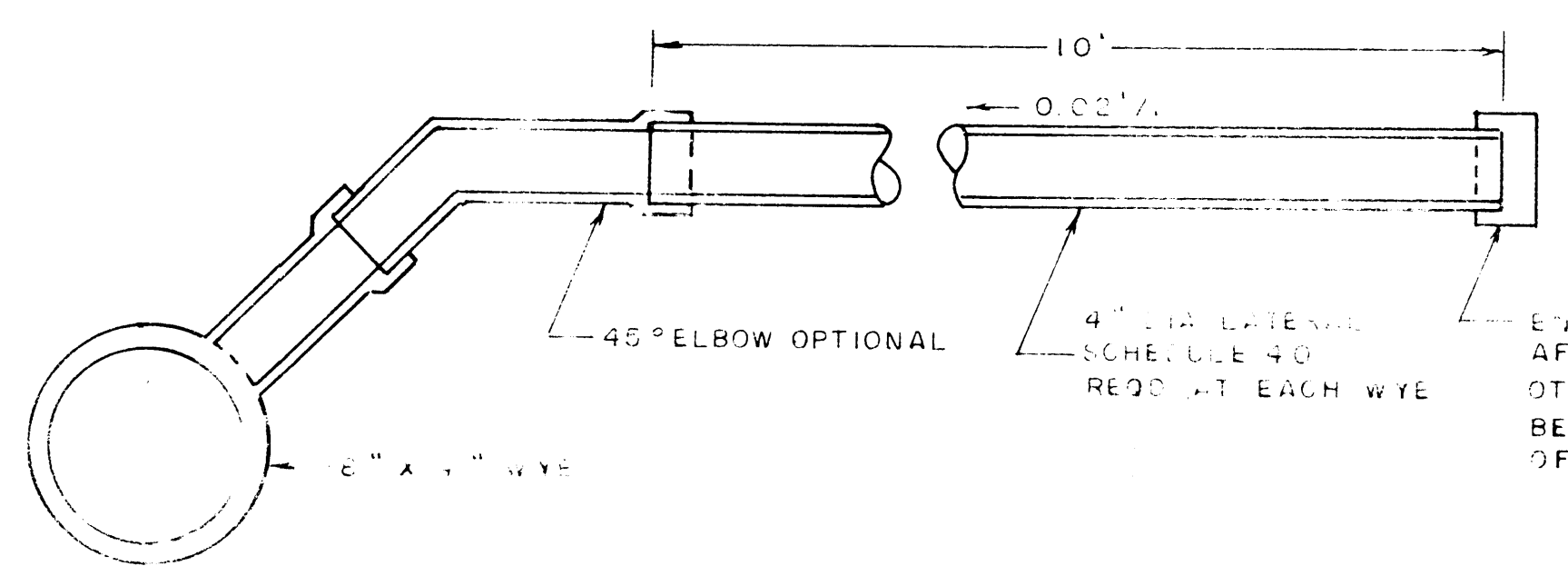
P.V.C. SEWER PIPE MUST MEET
 THE FOLLOWING SPECIFICATIONS:

1. ASTM D 3034 REQUIREMENTS
2. MEET DEFLECTION TESTING BY SDP 35
3. BE CONSTRUCTED WITH 1450 R RESIN

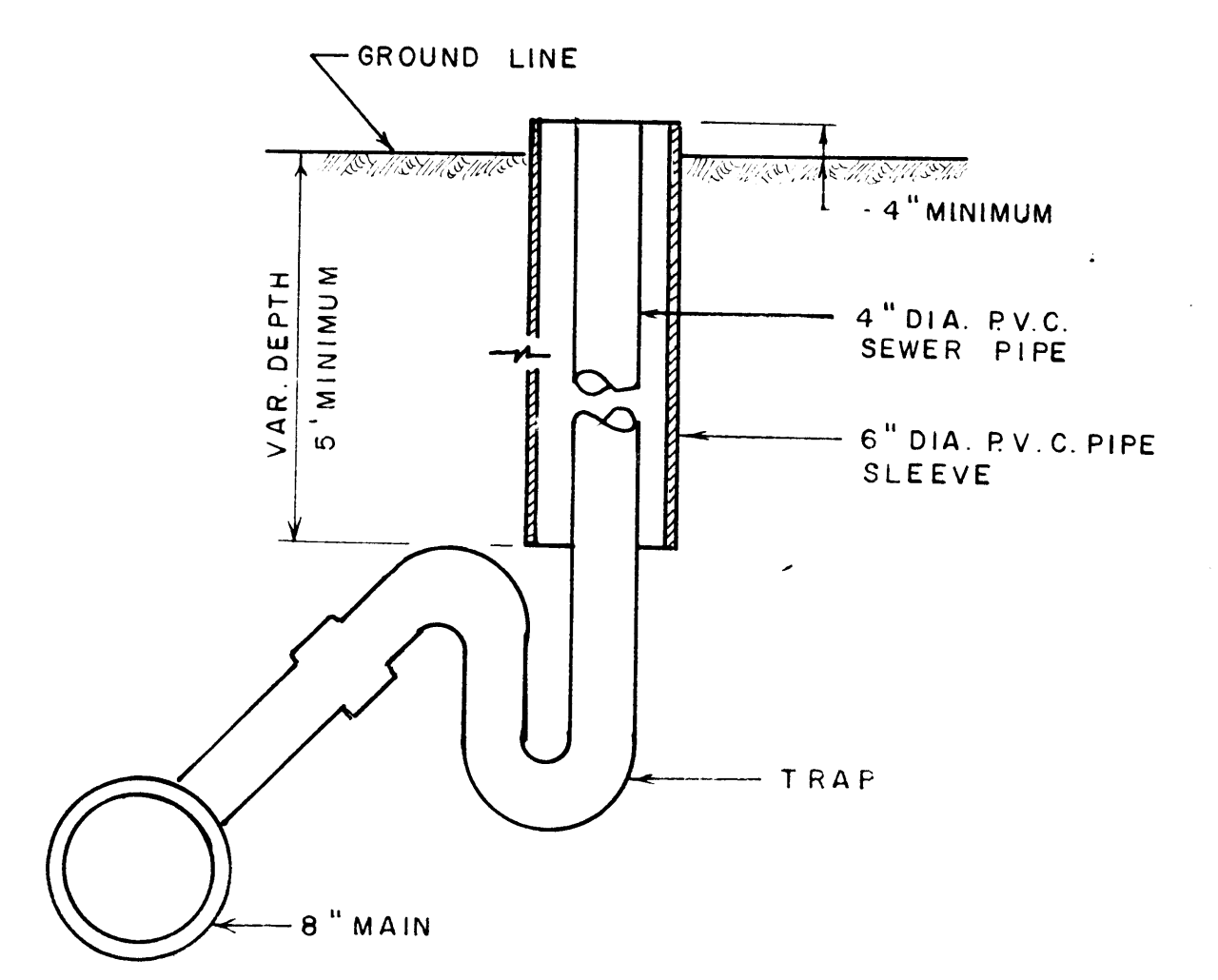


8" X 4" P.V.C. SEWER WYE

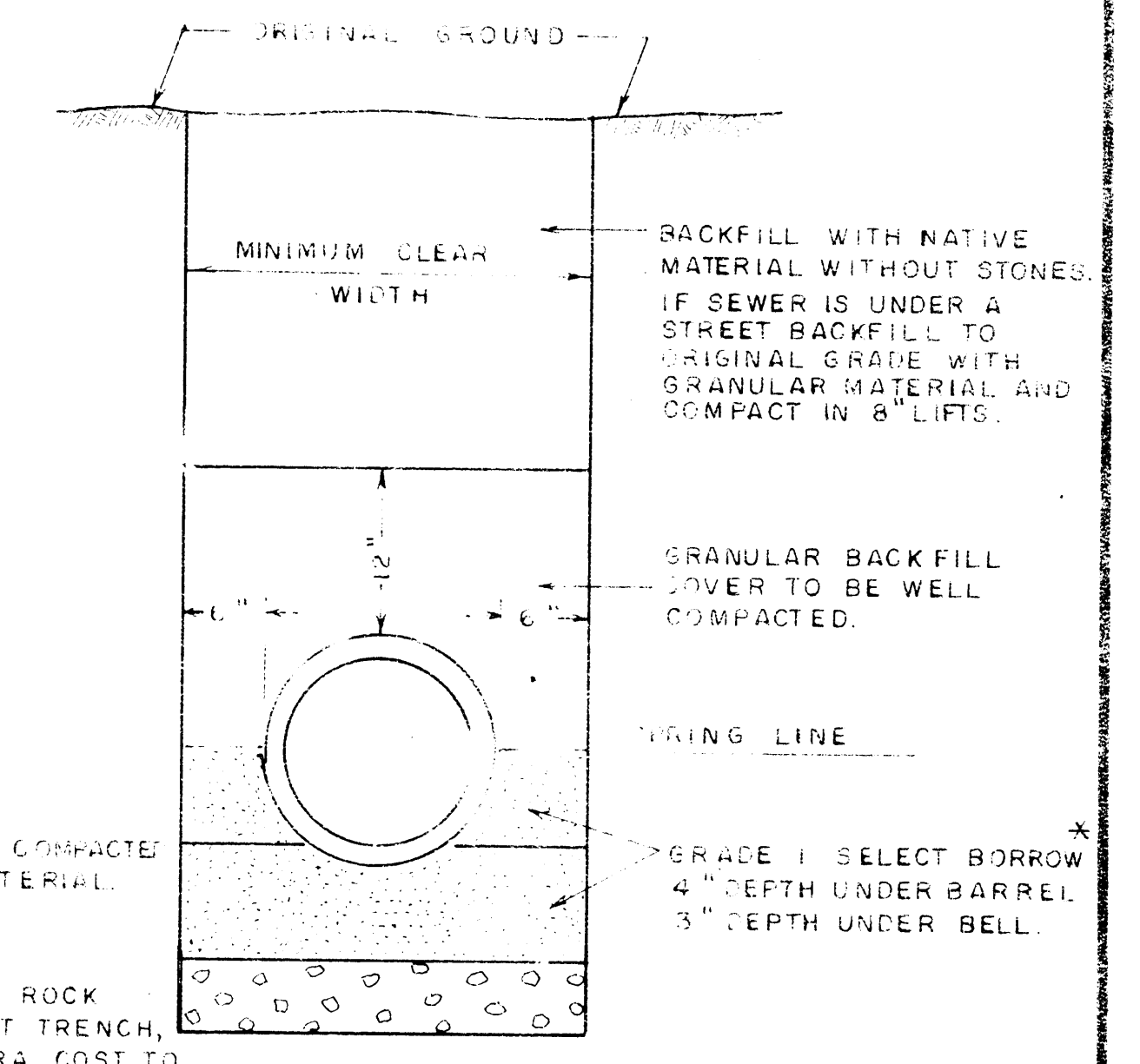
NOTE: IF AN 8" X 4" WYE IS UNAVAILABLE
 AN 8" X 6" WYE IS ACCEPTABLE PROVIDED A
 6" X 4" BUSHING IS USED TO REDUCE THE
 OPENING TO ACCEPT A 4" DIAMETER LATERAL



LATERAL INSTALLATION DETAIL

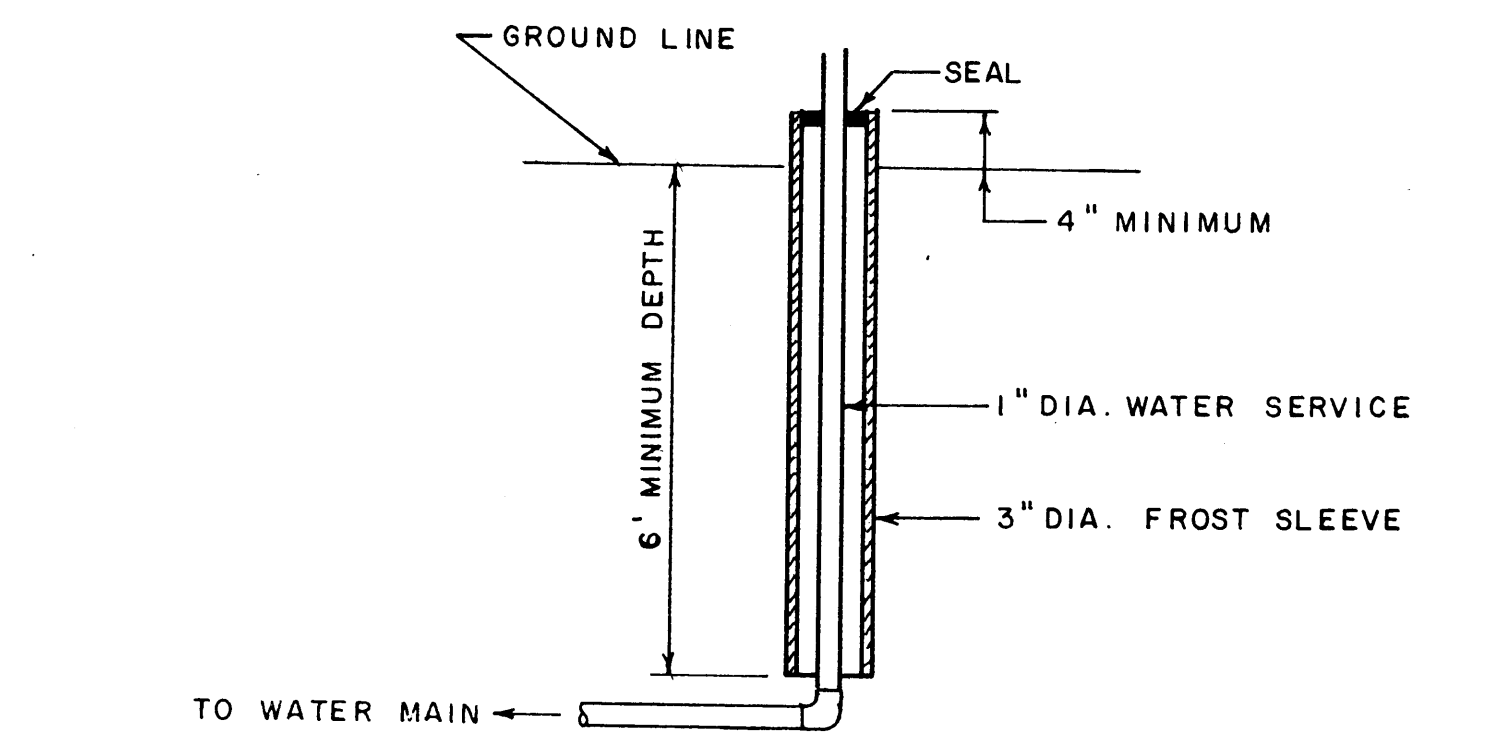


DETAIL OF FROST SLEEVE ON
 SANITARY SEWER SERVICES



TRENCH DETAIL

END CAP REQD.
 AFTER INSTALLATION A STAKE OR
 OTHER IDENTIFYING MARKER SHALL
 BE ERECTED FOR FUTURE LOCATION
 OF LATERAL.



** DETAIL OF FROST SLEEVE ON WATER SERVICES

* * * * * ALL GRANULAR BACKFILL SHALL MEET THE
 REQUIREMENTS OF WILCOX STANDARD
 SPECIFICATIONS FOR ROAD AND PAVEMENT
 CONSTRUCTION, 1990 EDITION.

** NOT A PART OF THIS PLAN