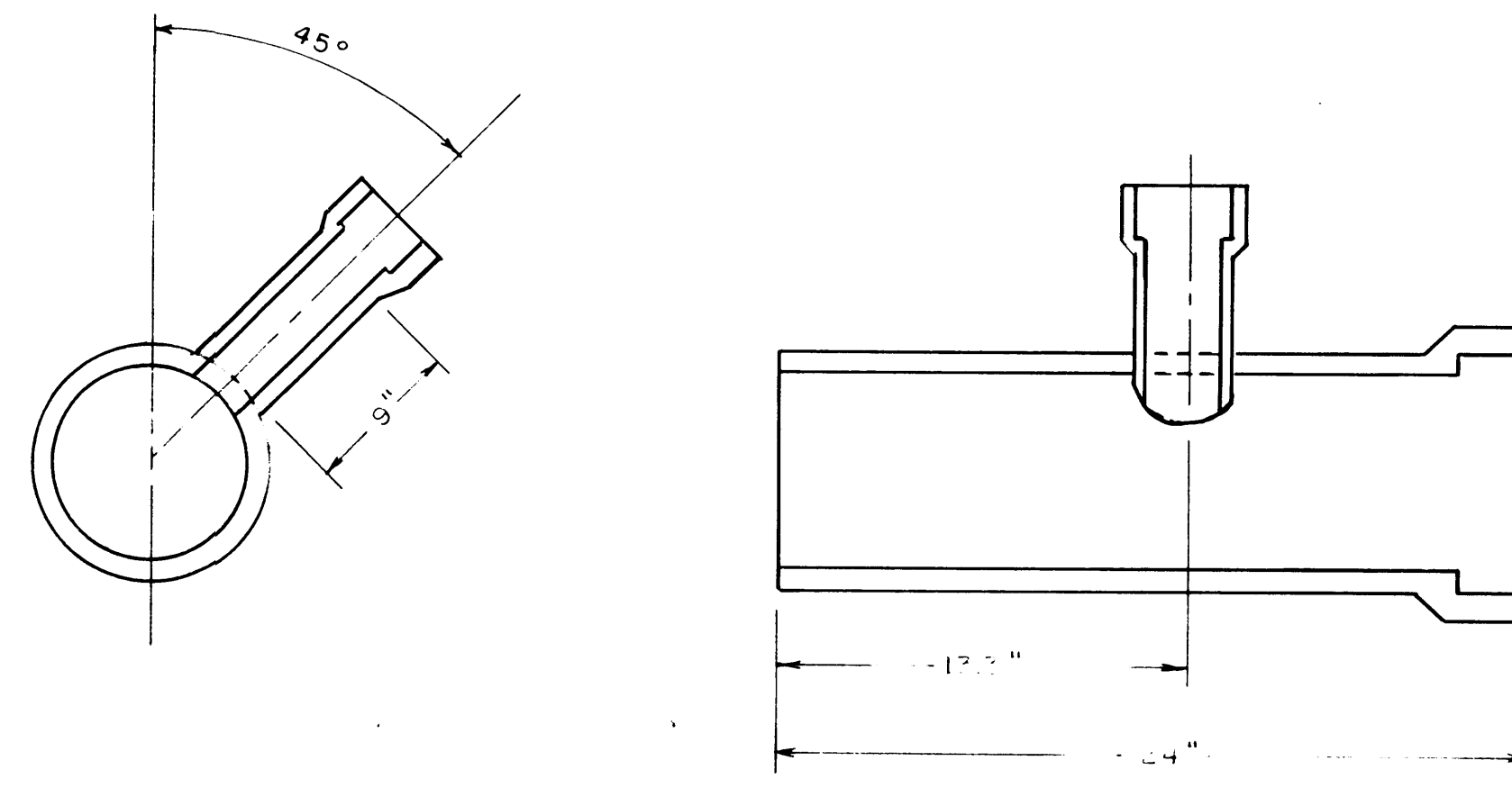
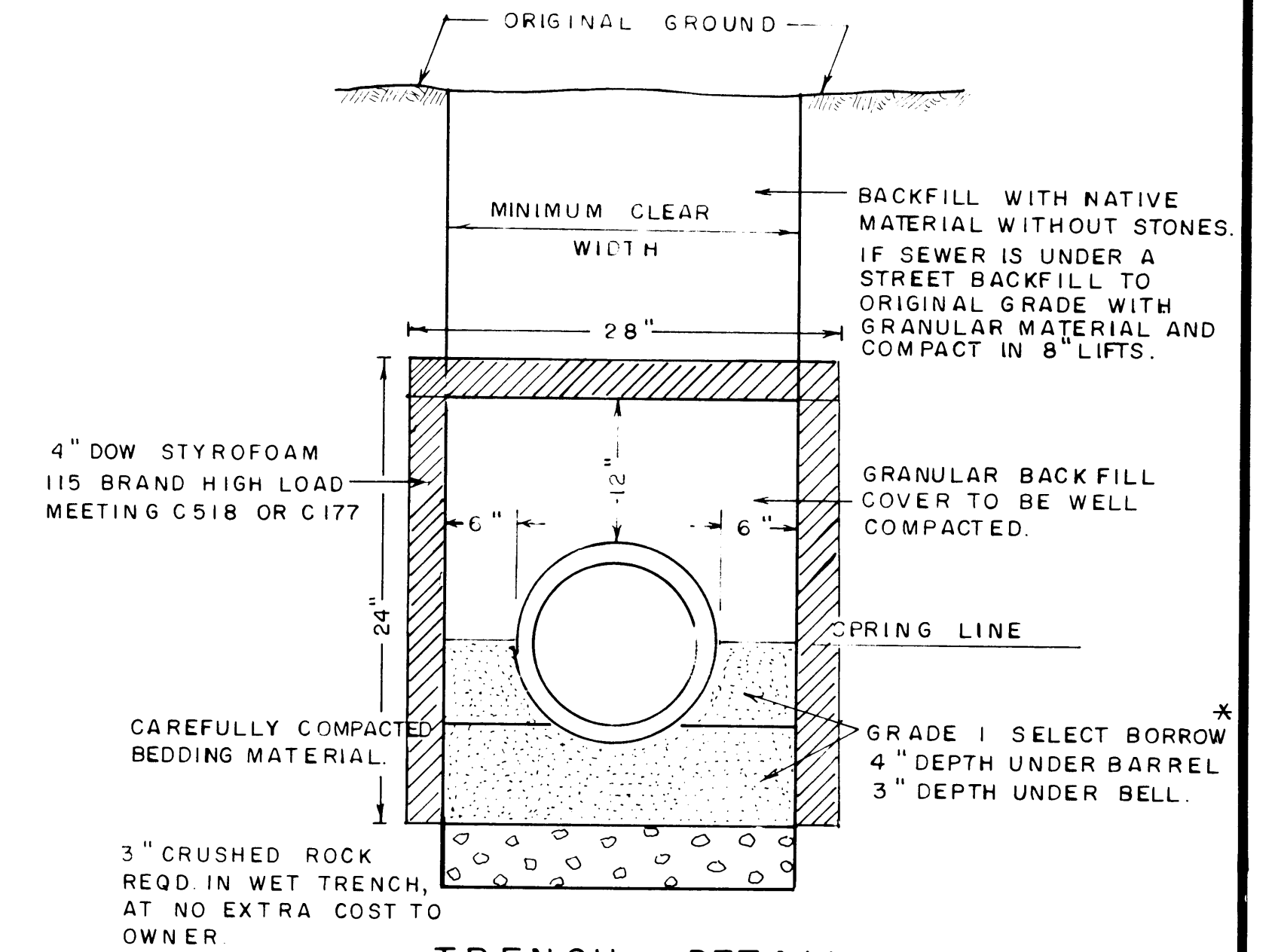


TYPICAL MANHOLE DETAIL (ECCENTRIC CONE)

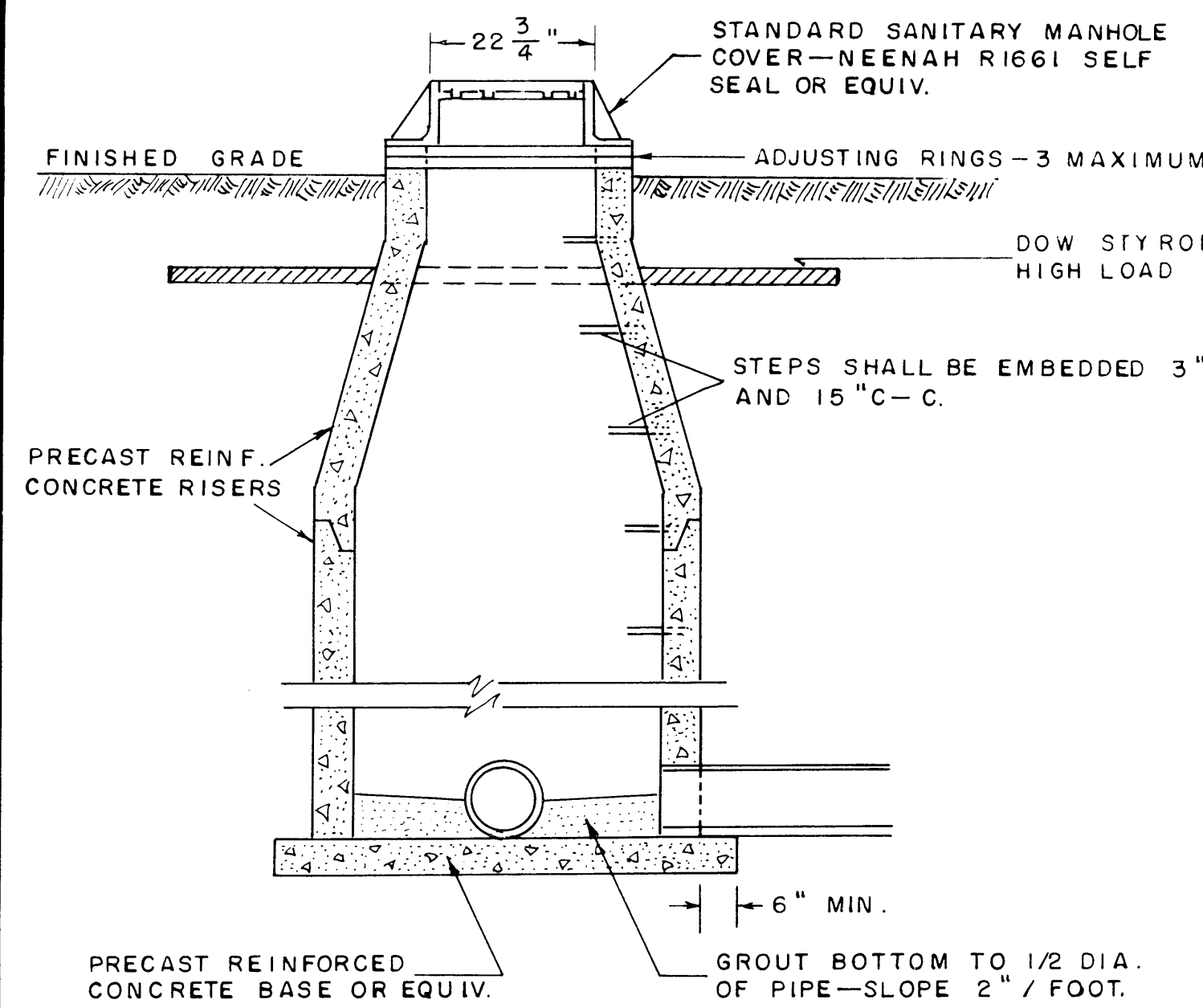


8" X 4" P.V.C. SEWER WYE

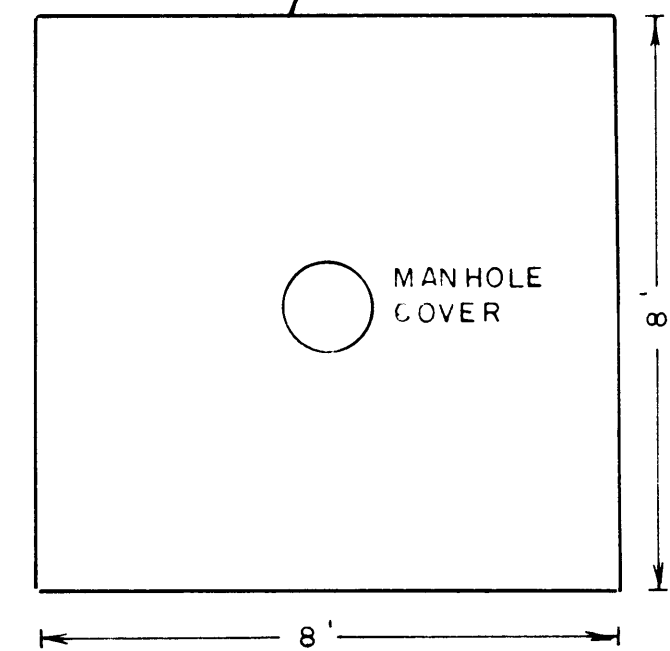
NOTE: IF AN 8" X 4" WYE IS UNAVAILABLE AN 8" X 6" WYE IS ACCEPTABLE PROVIDED A 6" X 4" BUSHING IS USED TO REDUCE THE OPENING TO ACCEPT A 4" DIAMETER LATERAL. USE AT STATION



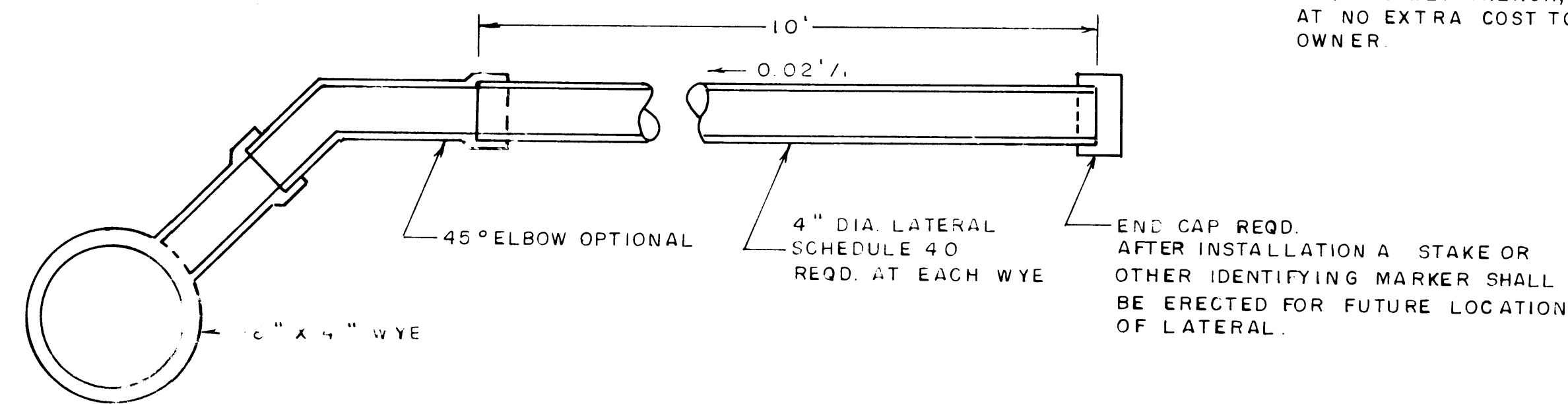
TRENCH DETAIL



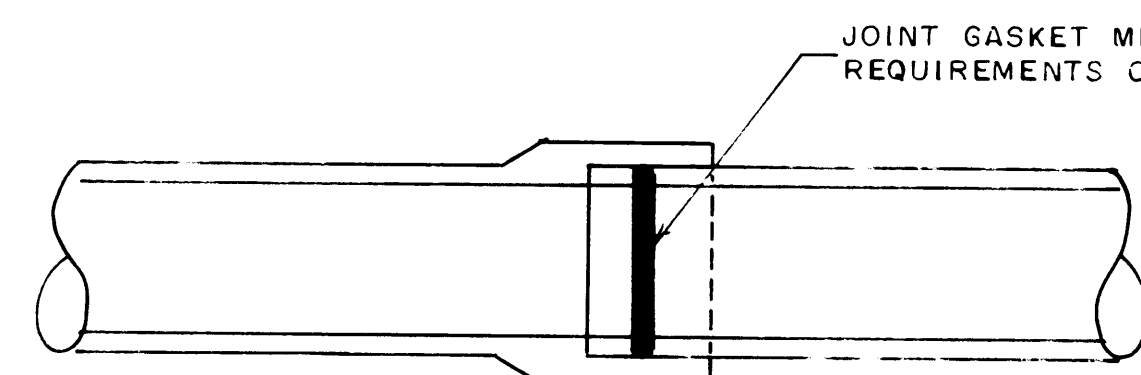
PRECAST CONCRETE MANHOLE (CONCENTRIC CONE)



PLAN VIEW OF STYROFOAM INSTALLATION AT MANHOLE

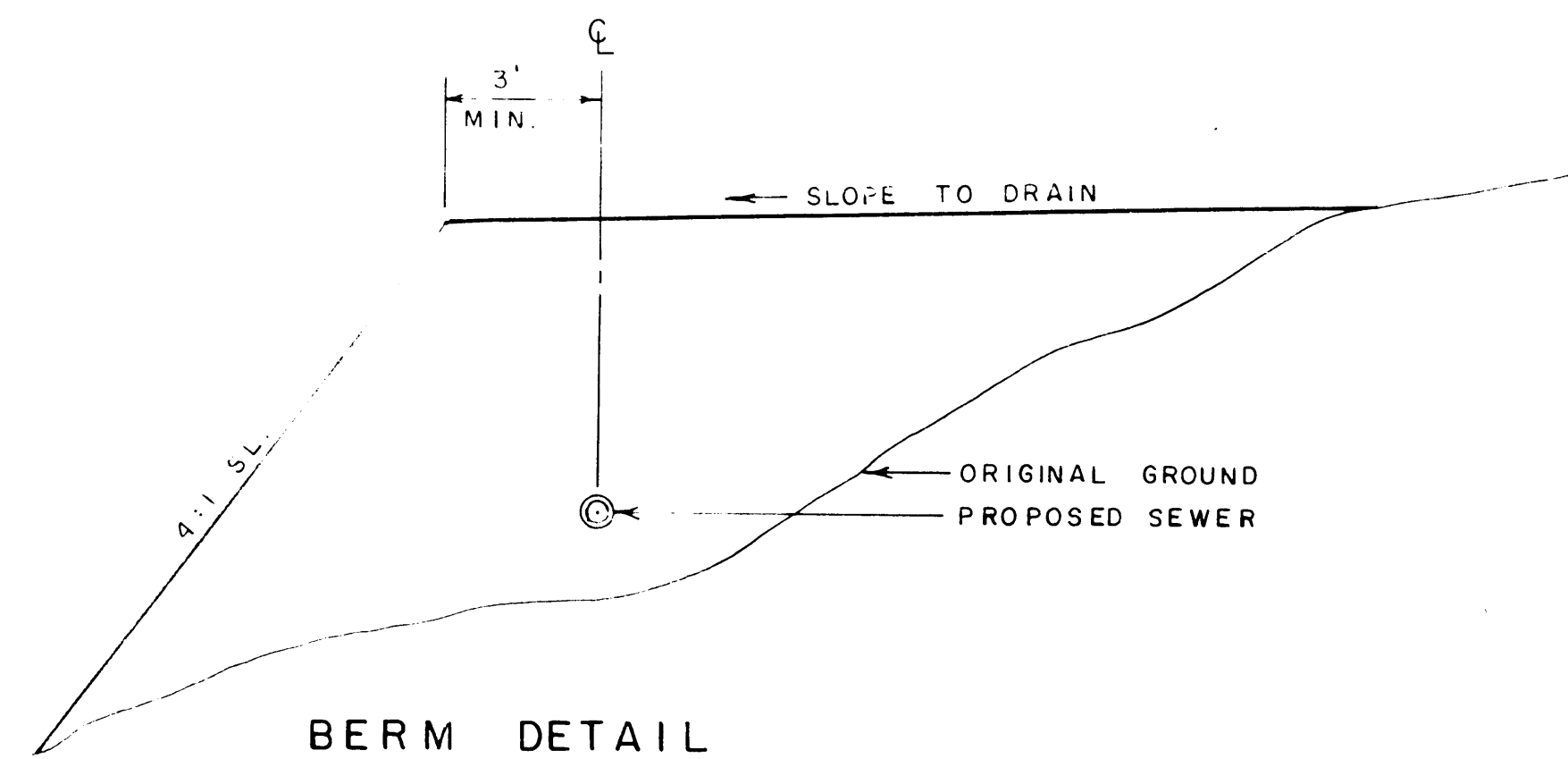


LATERAL INSTALLATION DETAIL



LONGITUDINAL SECTION FOR PIPE WITH P.V.C. SEWER PIPE JOINT DETAIL

- P.V.C. SEWER PIPE MUST MEET THE FOLLOWING SPECIFICATIONS:
1. ASTM D3034 REQUIREMENTS
 2. MEET DEFLECTION TESTING BY SDR 35
 3. BE CONSTRUCTED WITH 124548 RESIN



BERM DETAIL

USE FROM STATION TO STATION
5+50 TO 7+70
8+00 TO 9+00

* NOTE: GRANULAR BACKFILL SHALL MEET THE REQUIREMENTS OF WISDOT STANDARD SPECIFICATIONS FOR ROAD AND BRIDGE CONSTRUCTION, 1990 EDITION.