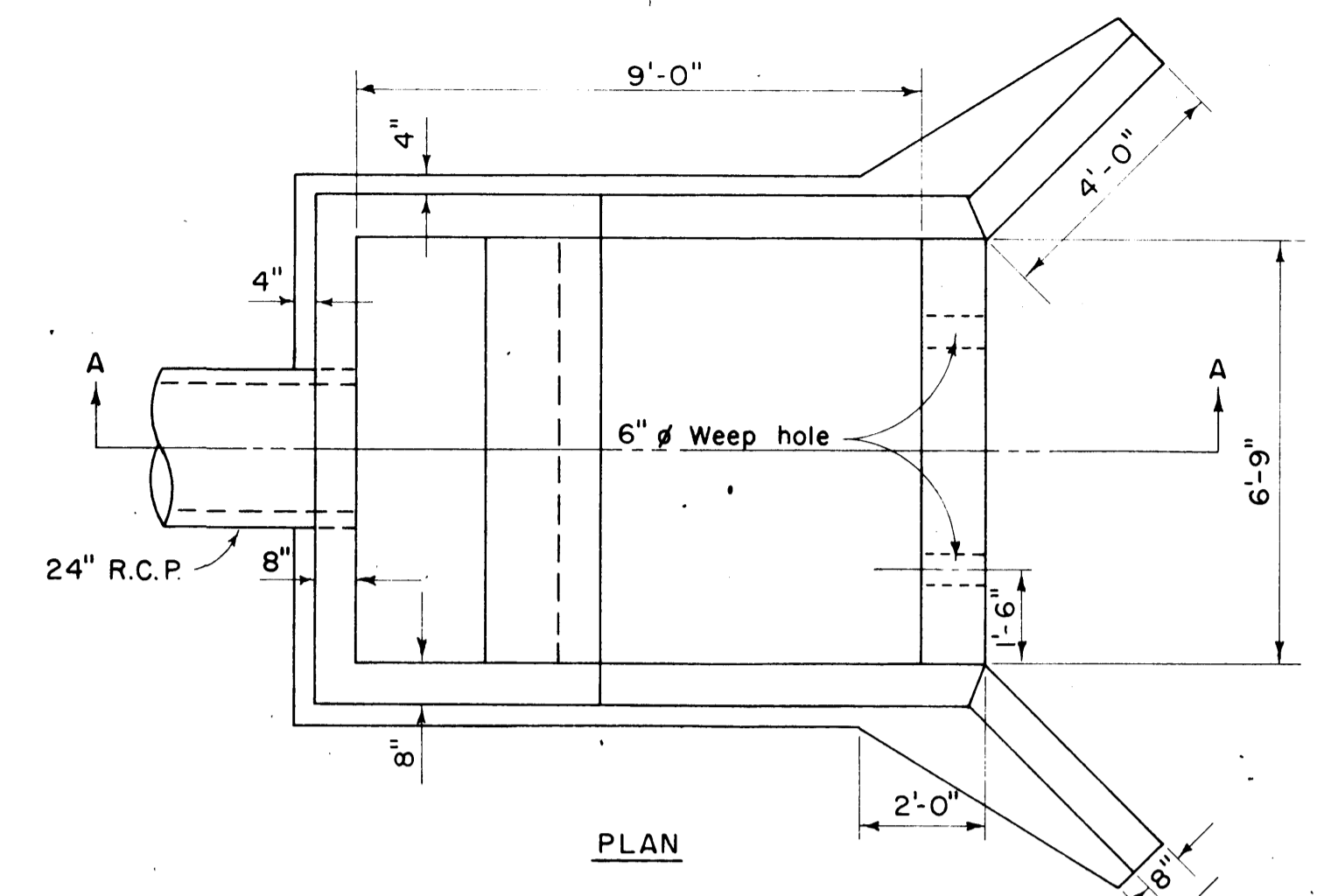


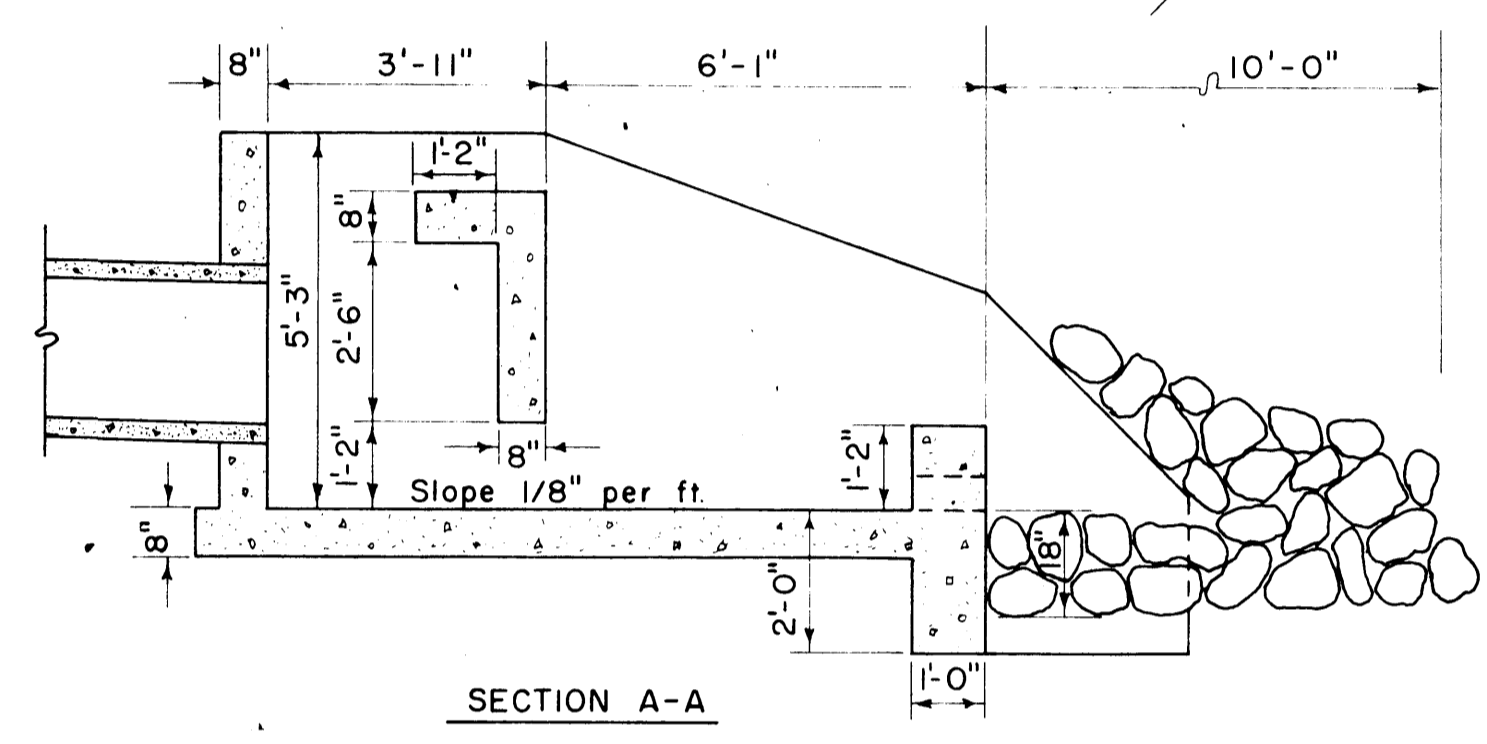
**DETAIL
MANHOLE NO. 9**
Scale: 3/8" = 1'-0"

REINFORCING BAR SCHEDULE											
BAR	SIZE	LENGTH	QUANTITY	BAR	SIZE	LENGTH	QUANTITY	BAR	SIZE	LENGTH	QUANTITY
a1	4	8'-5"	9	e1	5	6'-1"	28	h1	5	1'-8"	4
a2	4	9'-0"	1	e2	5	5'-6"	2	h2	5	1'-4"	2
a3	4	10'-0"	1	e3	5	5'-3"	4	i1	5	7'-8"	5
b1	4	12'-4"	7	e4	5	5'-0"	4	i2	5	2'-8"	4
b2	4	14'-0"	2	e5	5	4'-9"	2	i3	5	2'-6"	2
c	4	6'-2"	2	e6	5	4'-6"	4	j	5	3'-0"	4
d1	4	13'-0"	2	e7	5	4'-3"	2	k			
d2	4	11'-10"	2	e8	5	3'-10"	2	m			
d3	4	10'-8"	2	e9	5	3'-3"	2				
d4	4	9'-6"	2	e10	5	2'-9"	2				
d5	4	7'-2"	2	f1	5	6'-0"	8				
d6*	4	17'-3"	2	f2	5	3'-4"	8				
d7	4	4'-6"	4	g	5	8'-10"	12				

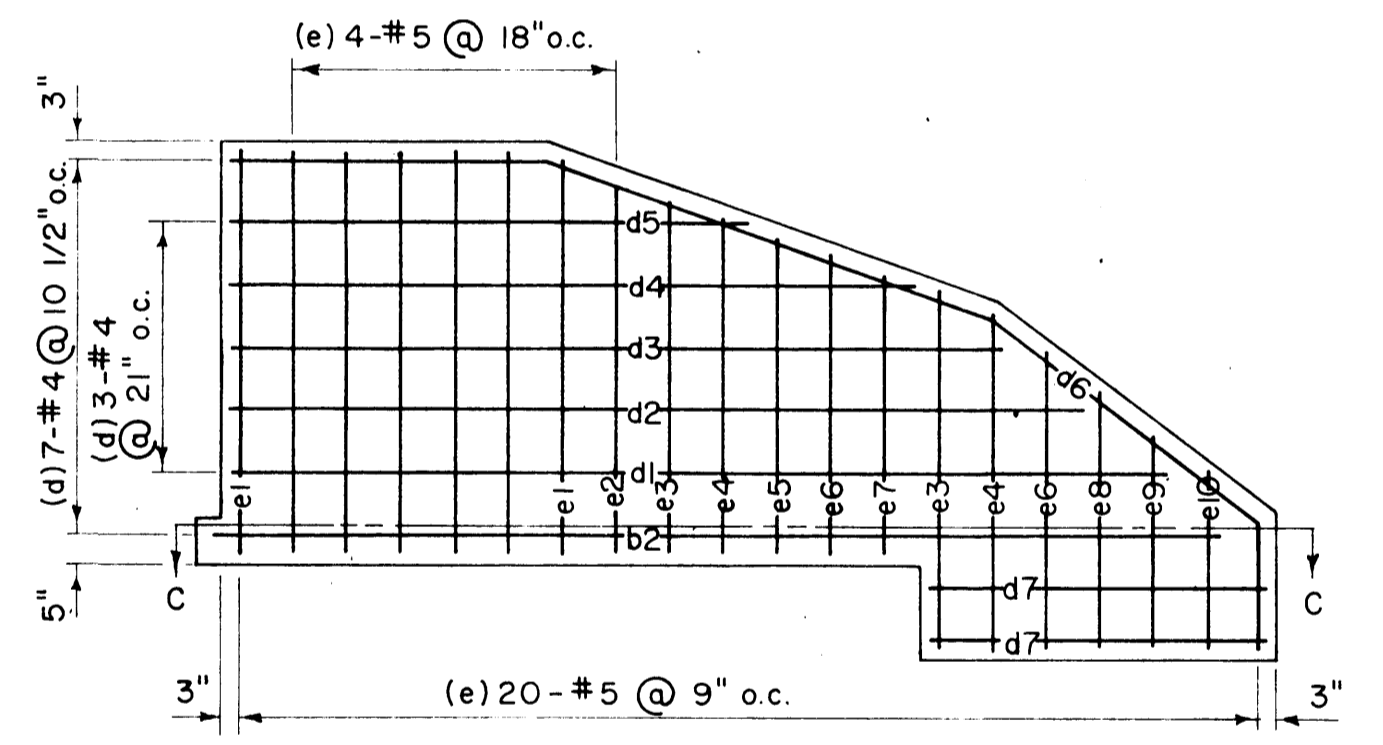
* Bar d6 to be formed in field.



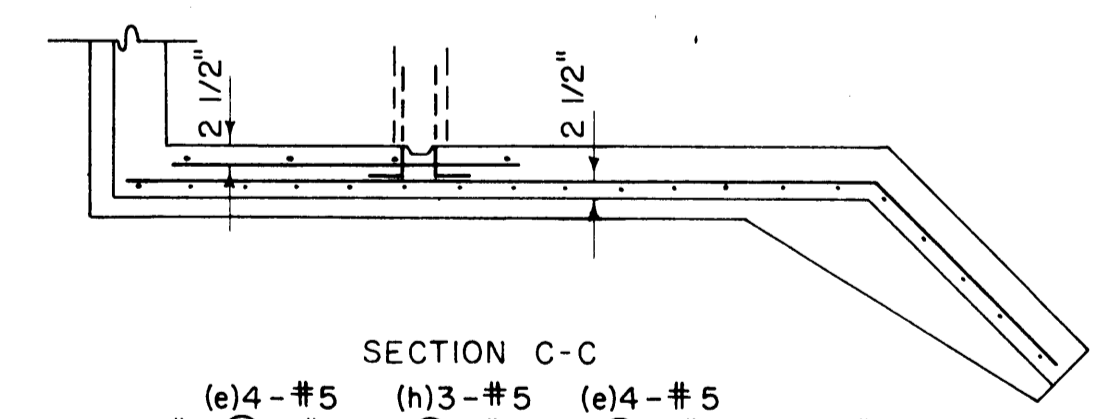
PLAN



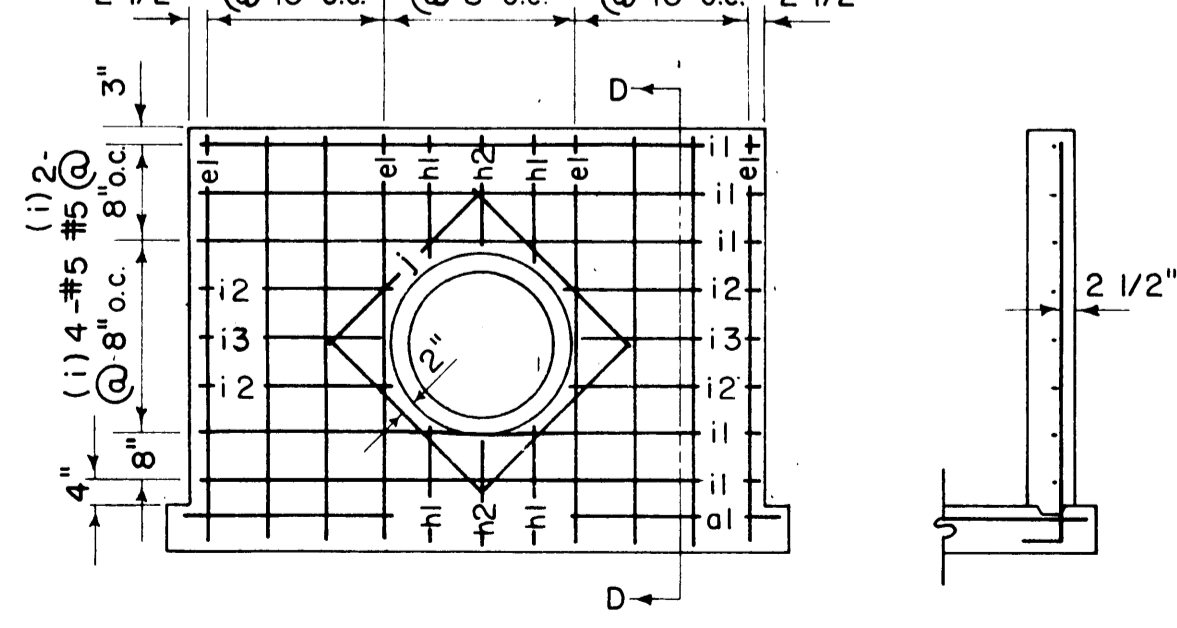
SECTION A-A



SIDEWALL ELEVATION

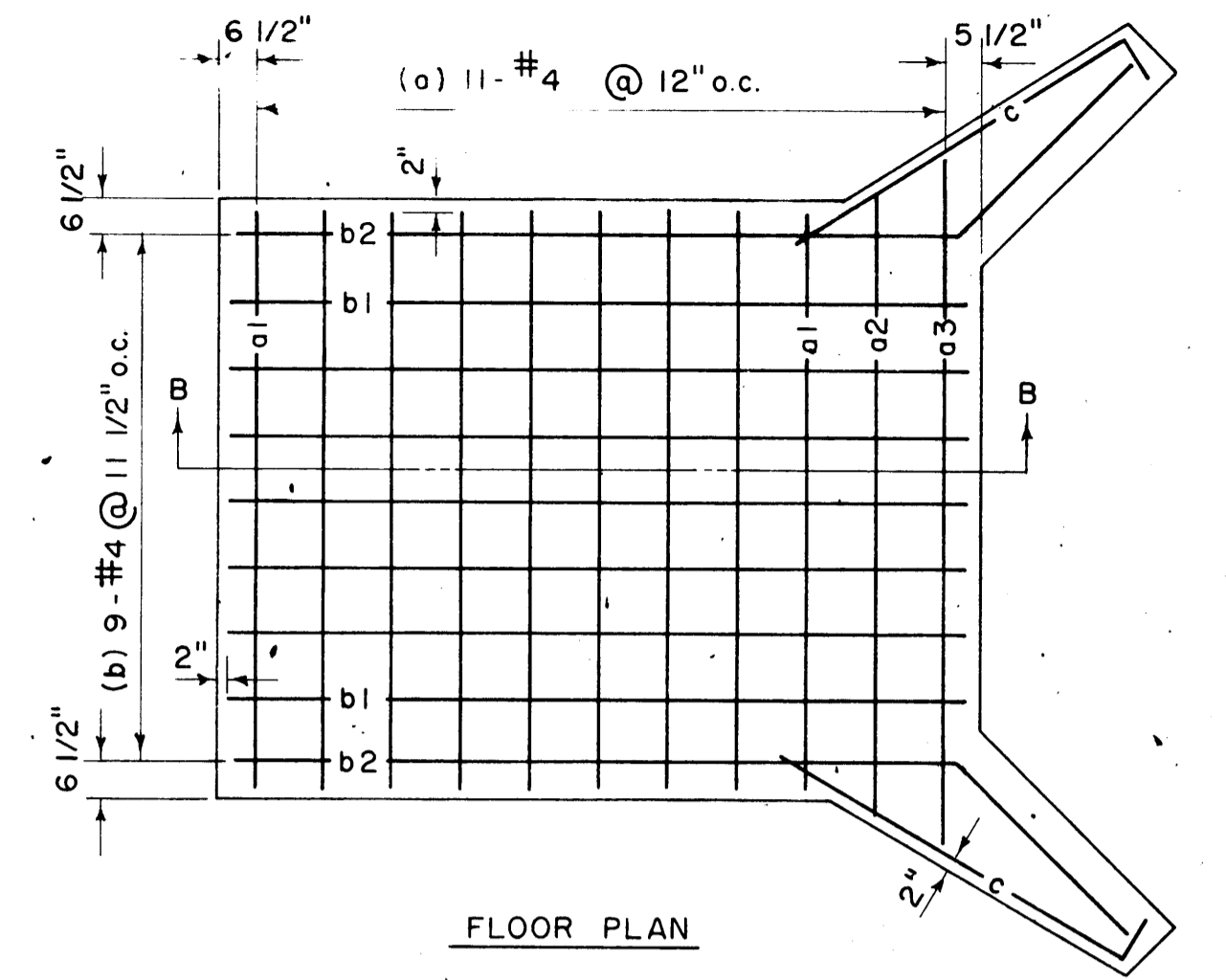


SECTION C-C

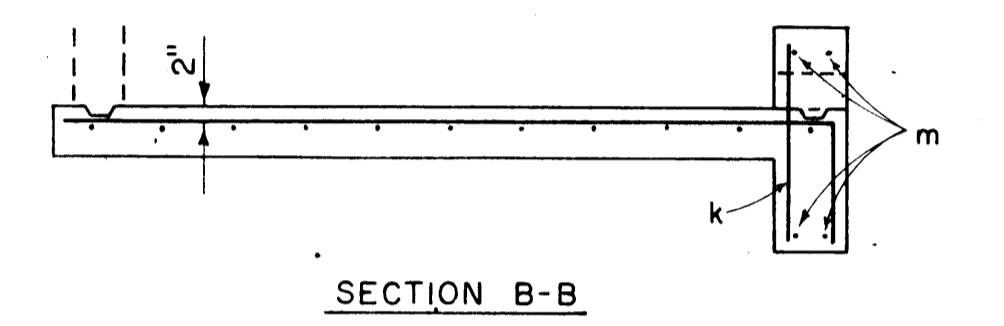


BACKWALL ELEVATION

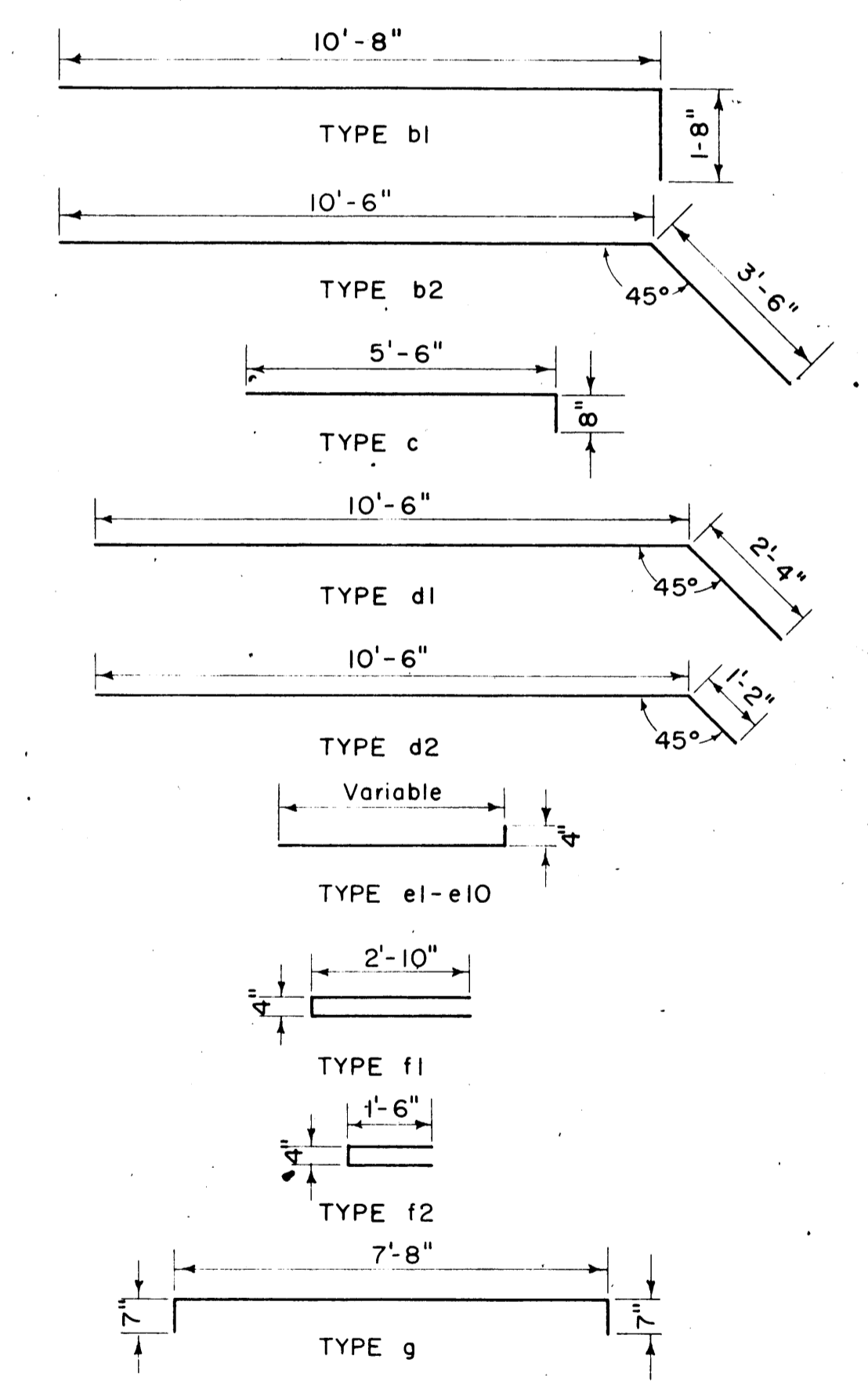
SECTION D-D



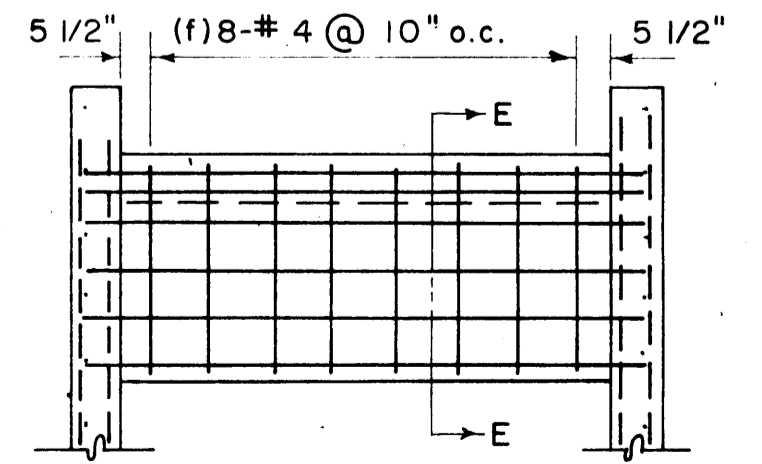
FLOOR PLAN



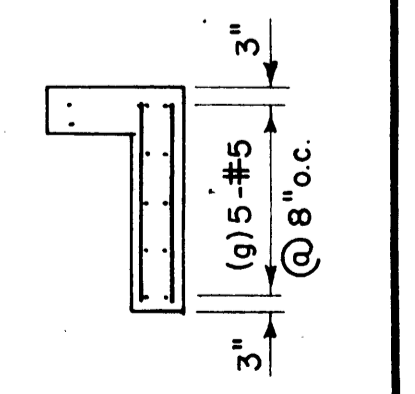
SECTION B-B



BENDING DETAIL



BAFFLE ELEVATION



SECTION E-E

**DETAILS
ENERGY DISSIPATOR-TYPE II**
Scale: 3/8" = 1'-0"