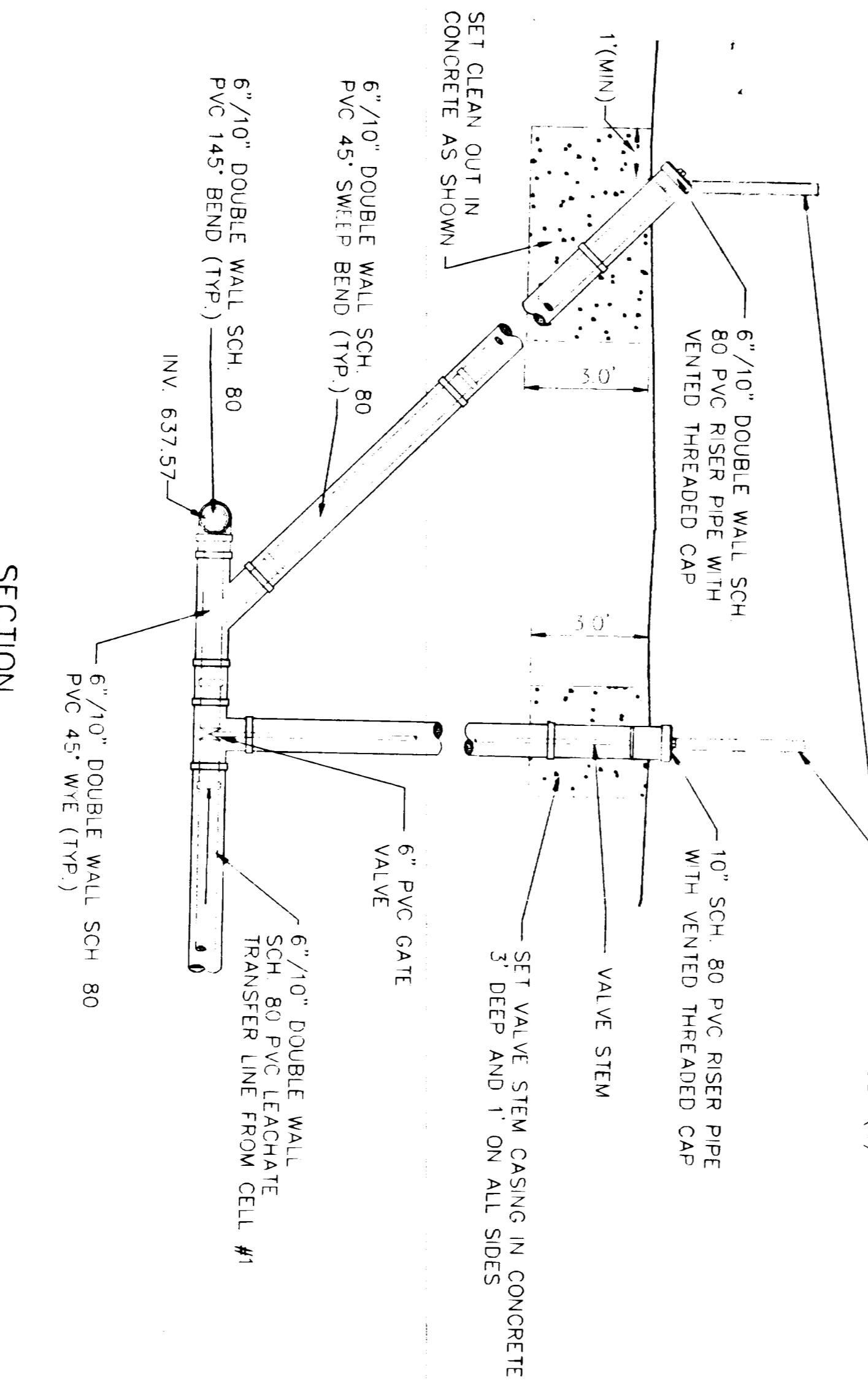
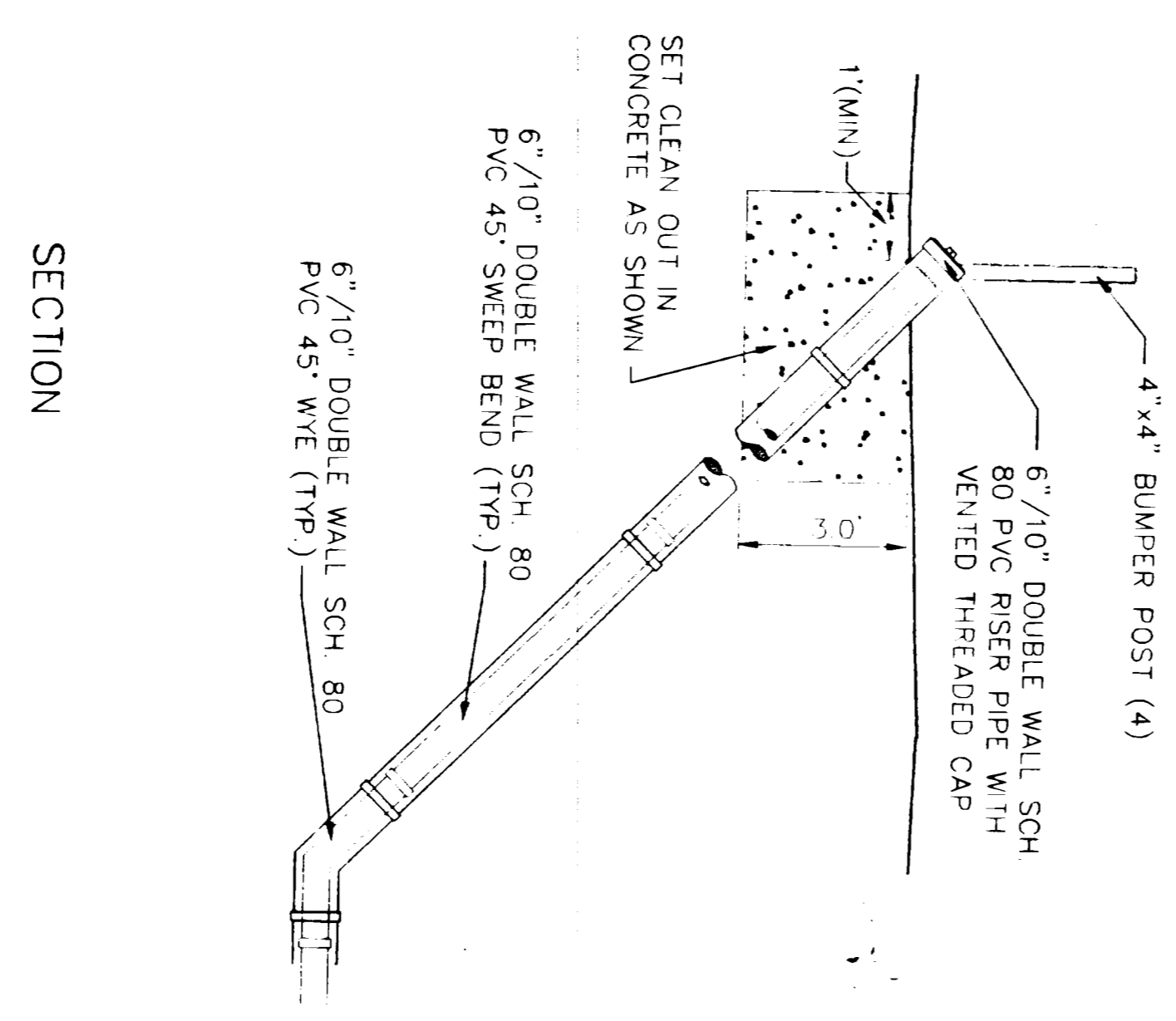


DESIGNER	DATE	DATE	DATE
FILED	5/94	5/94	5/94
CHECKED BY	DATE	DATE	DATE
NO.	BY	DATE	

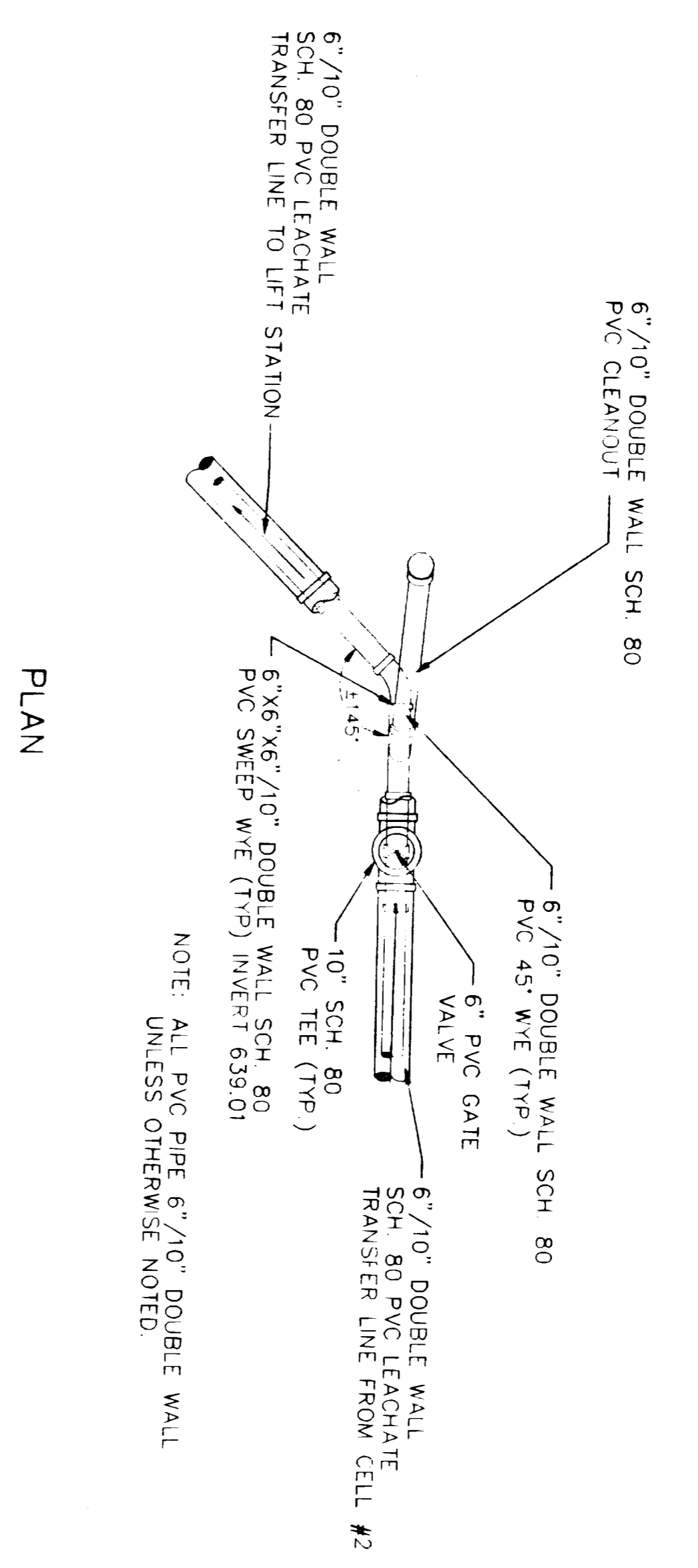
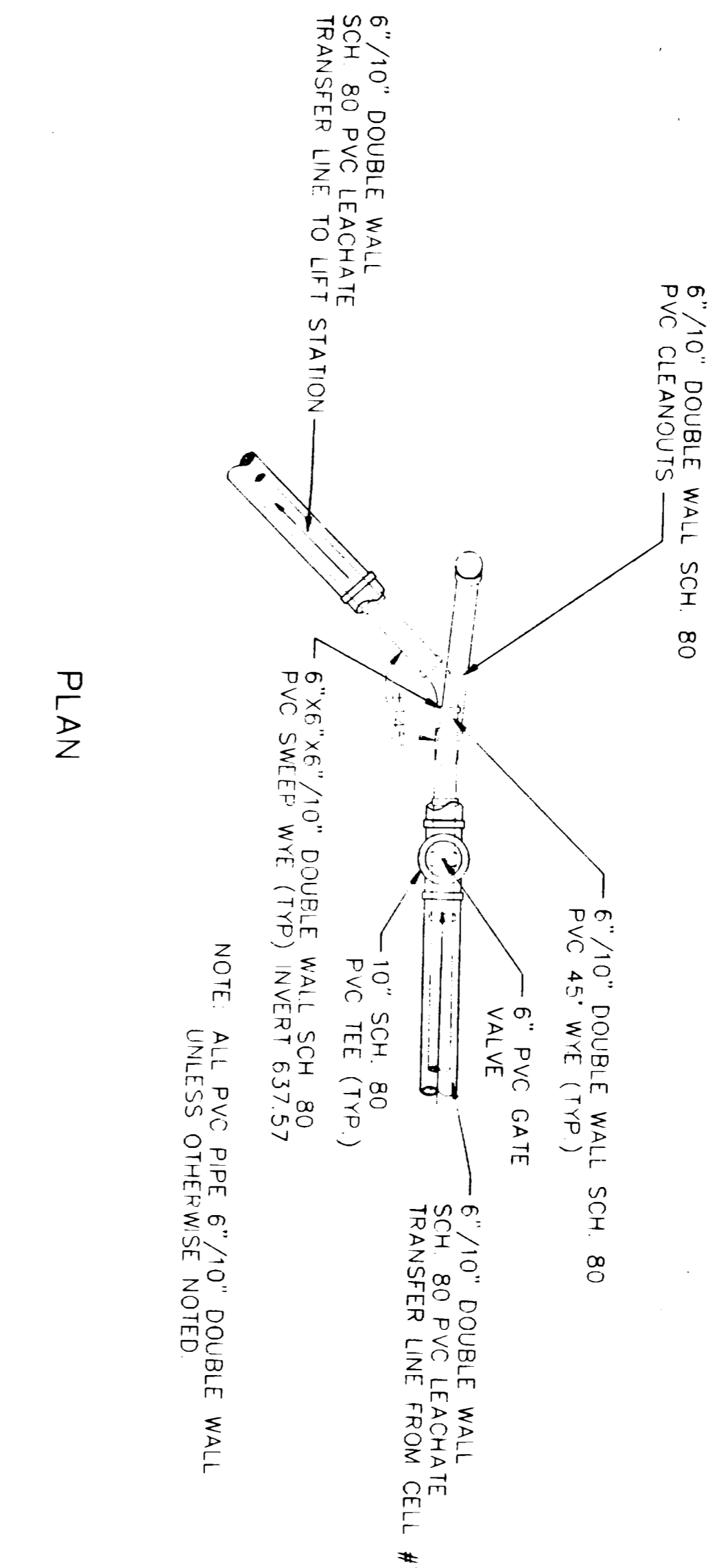
1 CLEANOUT (TYPICAL)
6 N.T.S.

NOTE:
1. ALL PVC PIPES ARE SCHEDULE 80 UNLESS OTHERWISE NOTED



NOTE:
1. ALL PVC PIPES ARE SCHEDULE 80 UNLESS OTHERWISE NOTED
2. SEE PLAN VIEW FOR PROPER INLET/OUTLET ALIGNMENT

2 CLEANOUT #1.2
6 N.T.S.



3 CLEANOUT #2.2
6 N.T.S.

NOTE:
1. ALL PVC PIPES ARE SCHEDULE 80 UNLESS OTHERWISE NOTED
2. SEE PLAN VIEW FOR PROPER INLET/OUTLET ALIGNMENT

