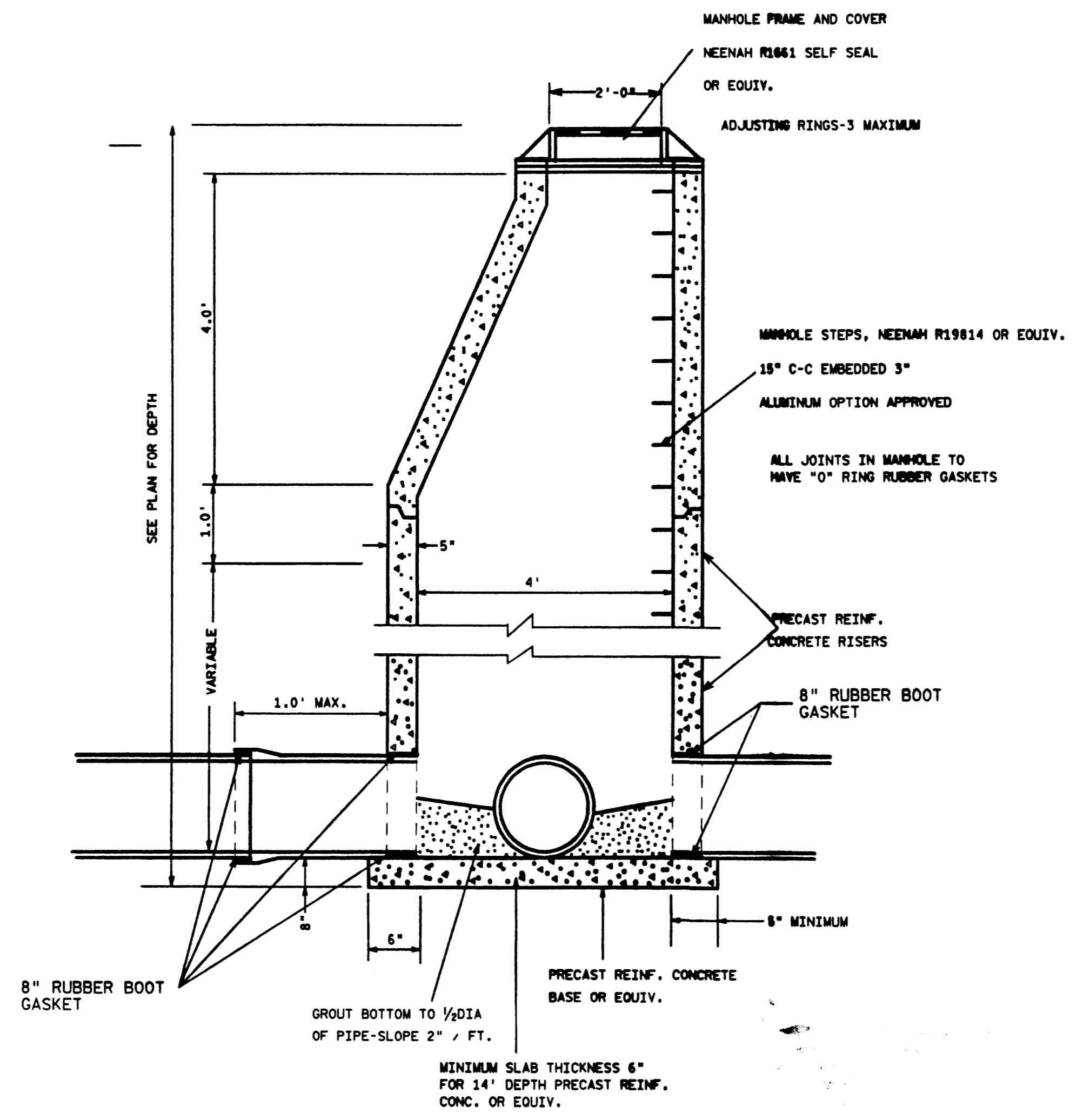
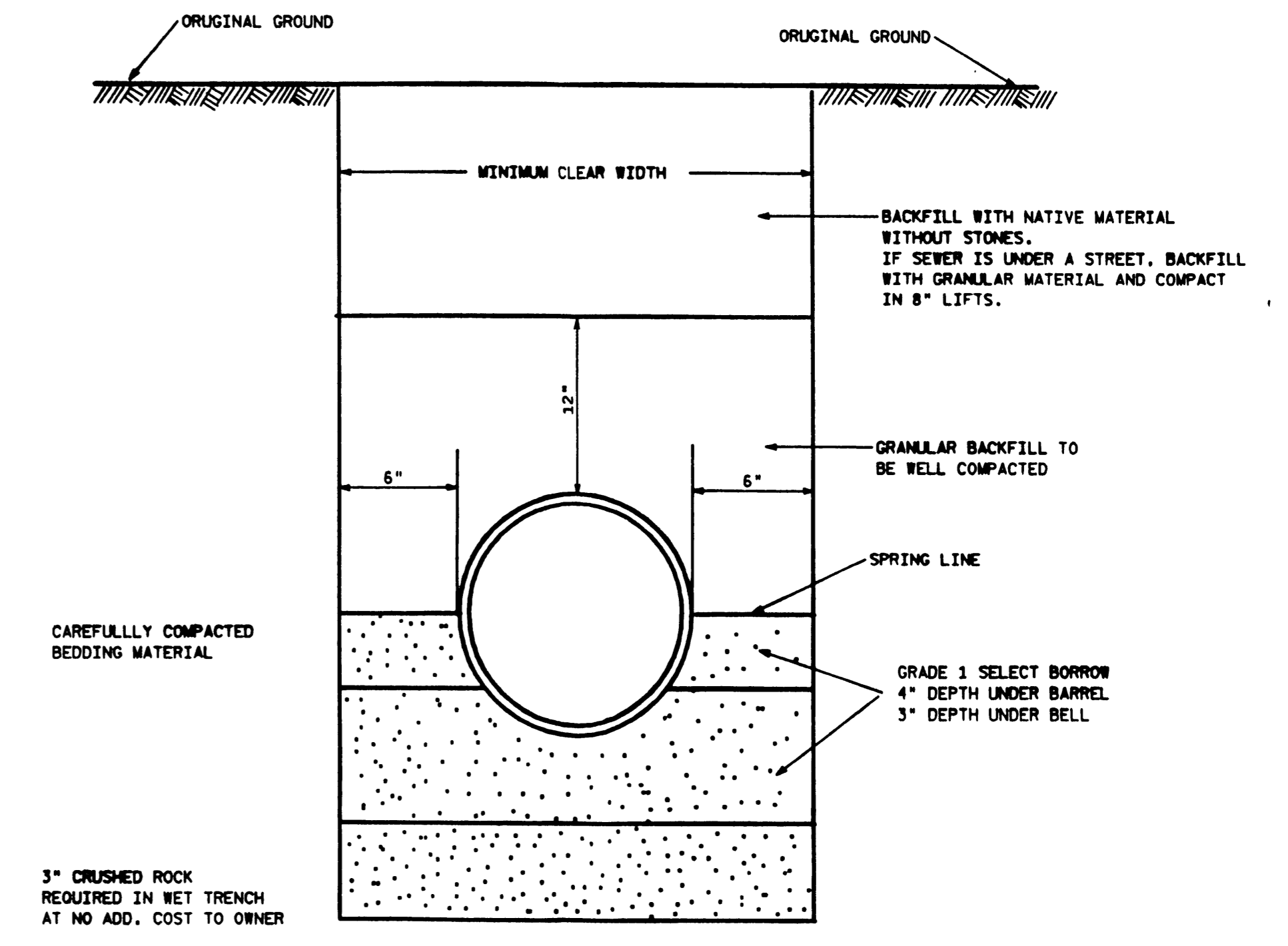


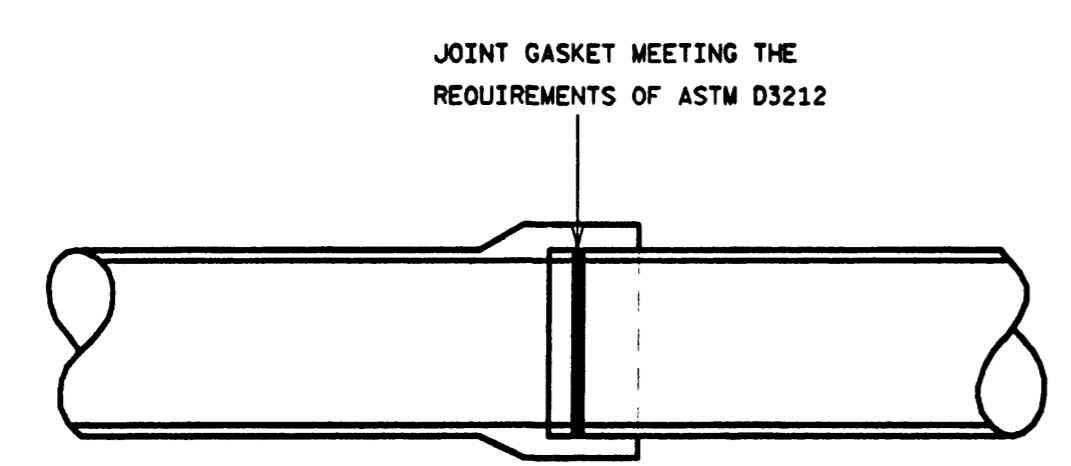
PRECAST CONCRET MANHOLE
(CONCENTRIC CONE)



TYPICAL MANHOLE DETAIL
(CONCENTRIC CONE)



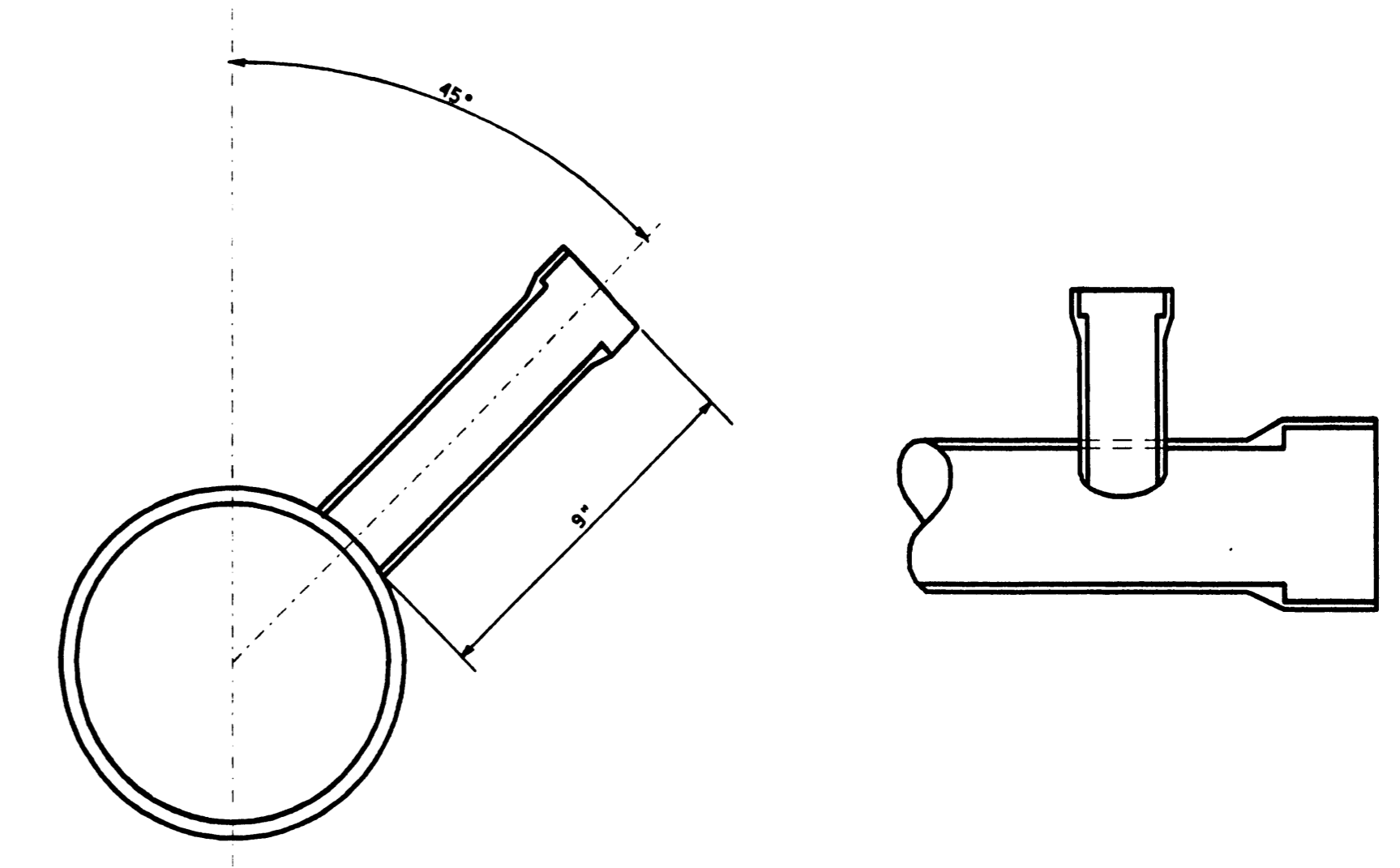
TRENCH DETAIL



P.V.C. SEWER PIPE MUST MEET THE FOLLOWING SPECIFICATIONS:
 1. ASTM D3034 REQUIREMENTS
 2. MEET DEFLECTION TESTING BY SDR35
 3. BE CONSTRUCTED WITH 12434B RESIN

LONGITUDINAL SECTION FOR PIPE WITH P.V.C. SEWER PIPE JOINT DETAIL

NOTE: IF AN 8" X 4" WYE IS NOT AVAILABLE AN 8" X 6" WYE IS ACCEPTABLE PROVIDED A 6" X 4" BUSHING IS USED TO REDUCE THE OPENING TO ACCEPT A 4" DIAMETER LATERAL.



8" X 4" P.V.C. SEWER WYE

LEVELS ON - 1,2,3,4,5,6,7,8,9,10,11,12,13,14,15,16,17,18,19,20,21,22,23,24,25,26,27,28,29,30,31,32,33,34,35,36,37,38,39,40,41,42,43,44,45,46,47,48,49,50,51,52,53,54,55,56,57,58,59,60,61,62,63