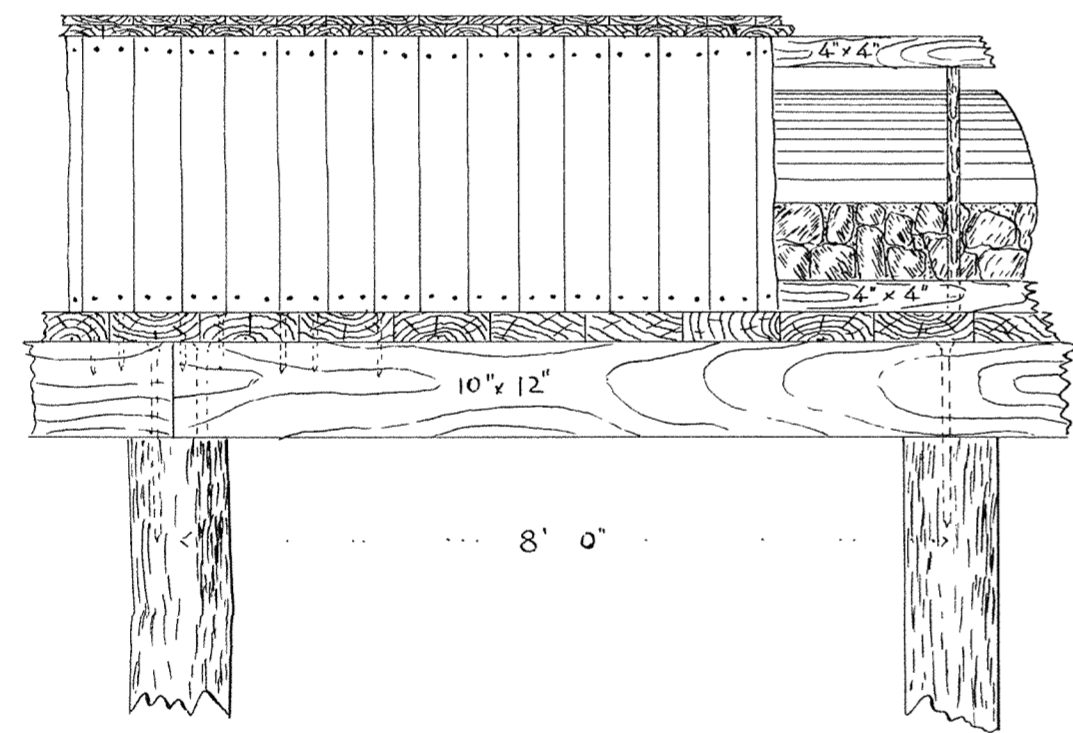
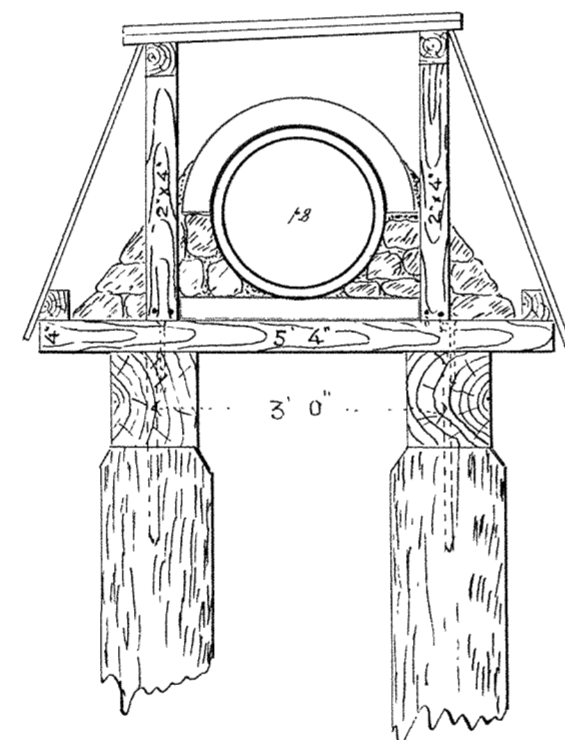


# CITY OF SUPERIOR SEWER PLAN 1894

Contract let May 7, 1894  
" completed June 16, 1894  
M. C. Burke, Contractor  
Jos. P. Duff, Inspector  
A. T. Thomas, City Engineer

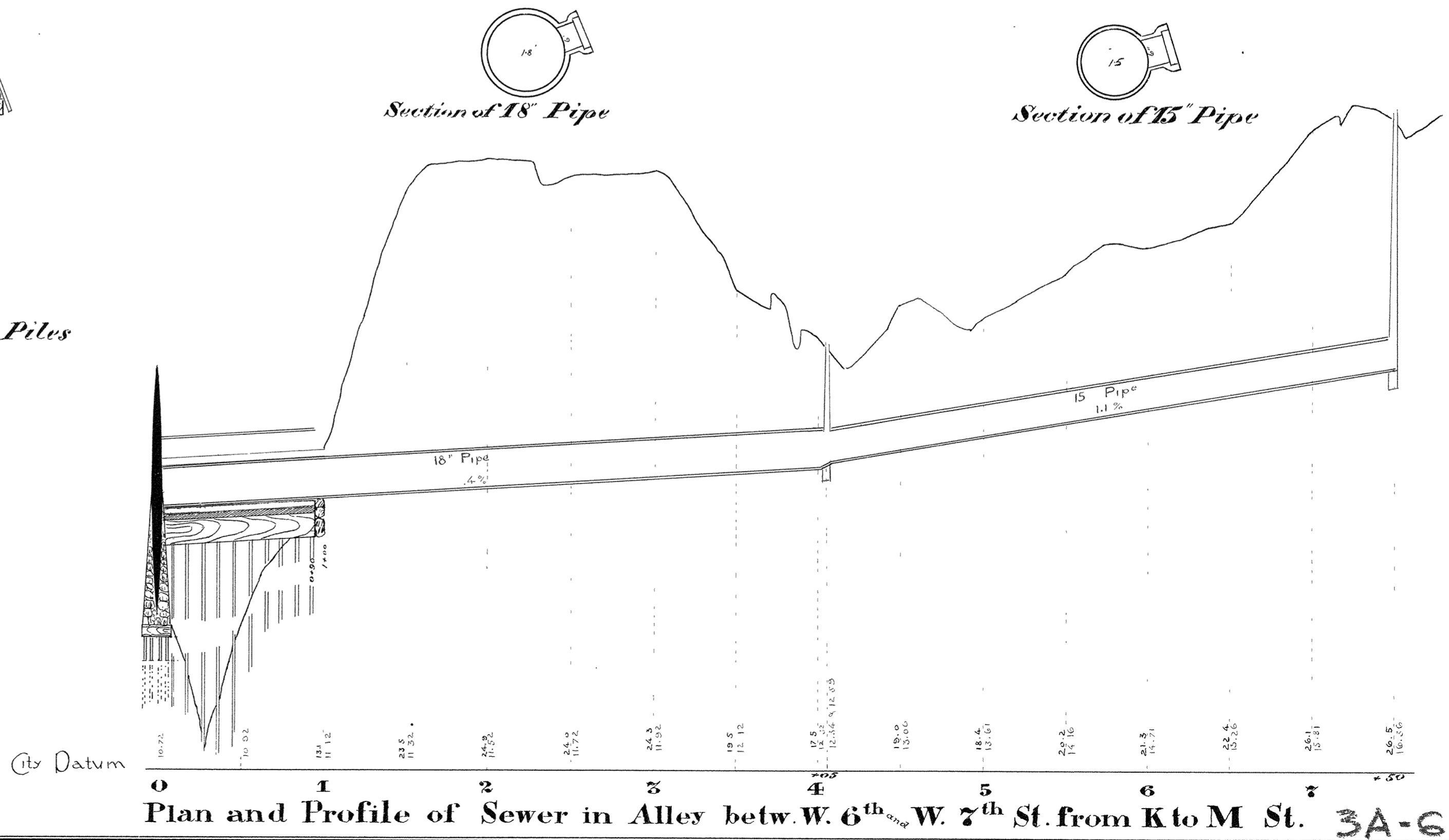
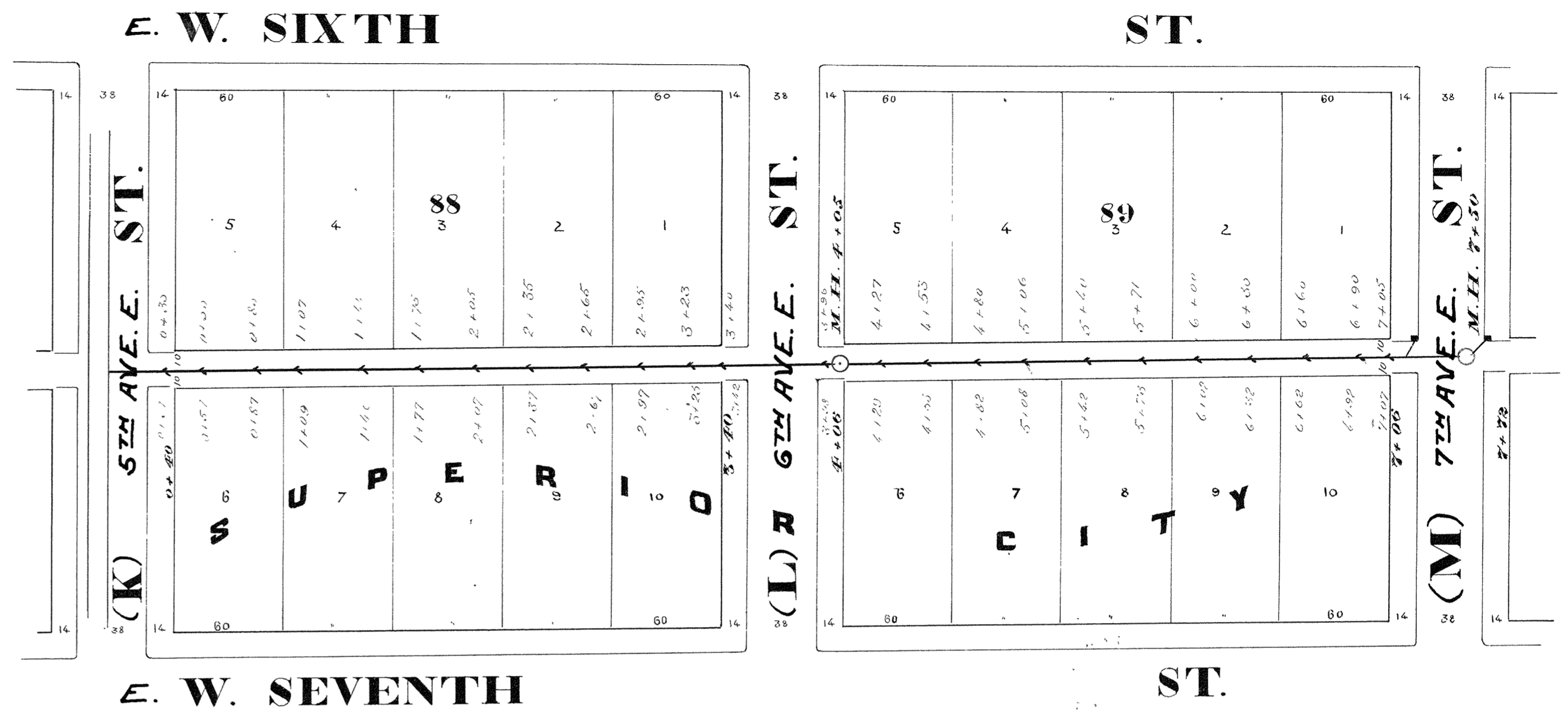


Side View of Sewer on Piles



Section of 18" Pipe on Piles

Scale: { Horizontal 1" = 60'  
Vertical 1" = 4'  
Section 1" = 2'



City Datum

Plan and Profile of Sewer in Alley betw. W. 6<sup>th</sup> and W. 7<sup>th</sup> St. from K to M St. 3A-6