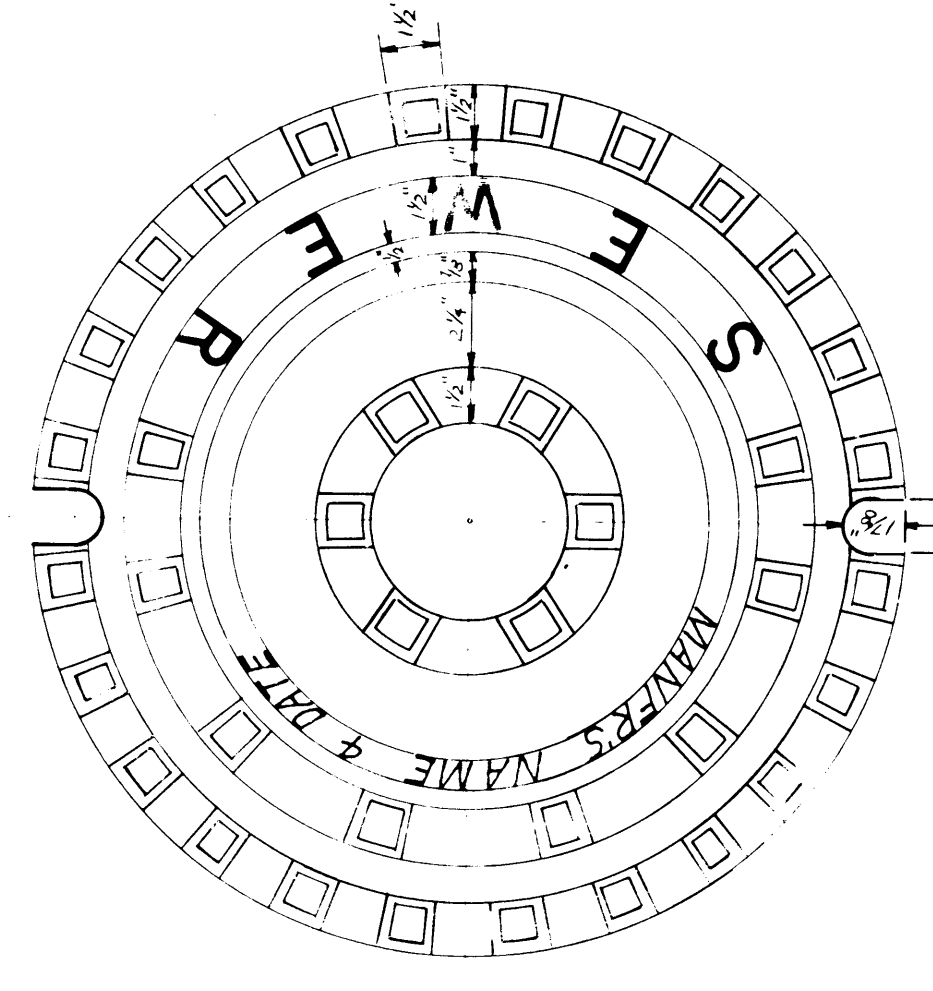
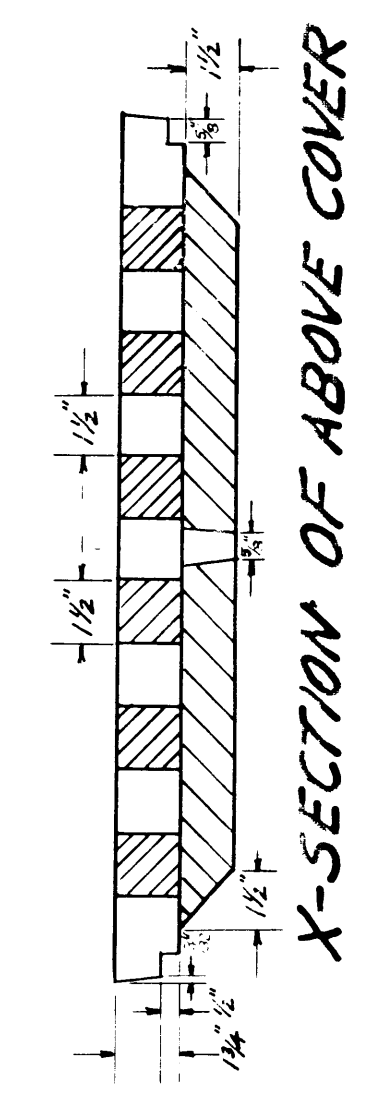
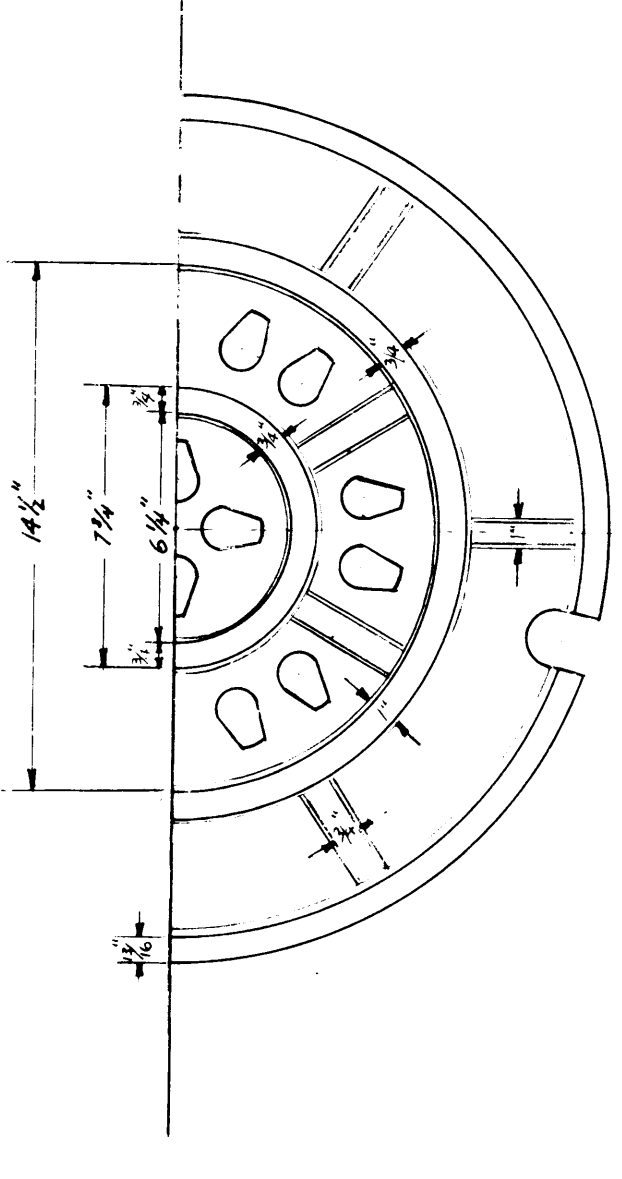


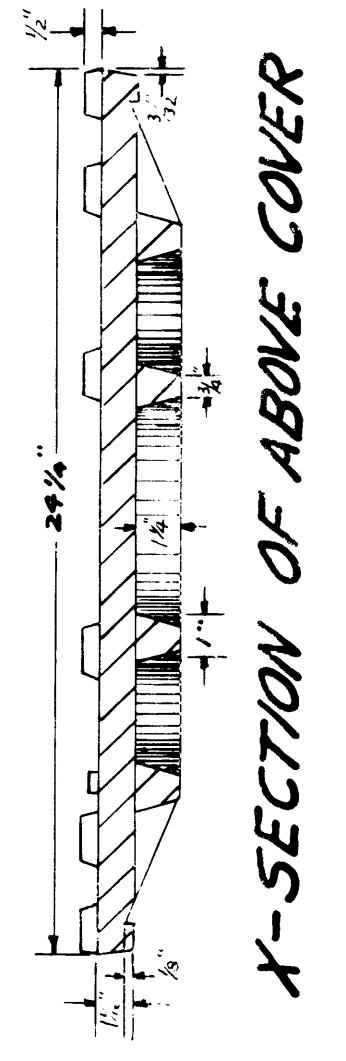
PLAN OF SURFACE DRAIN COVER
BOTTOM VIEW



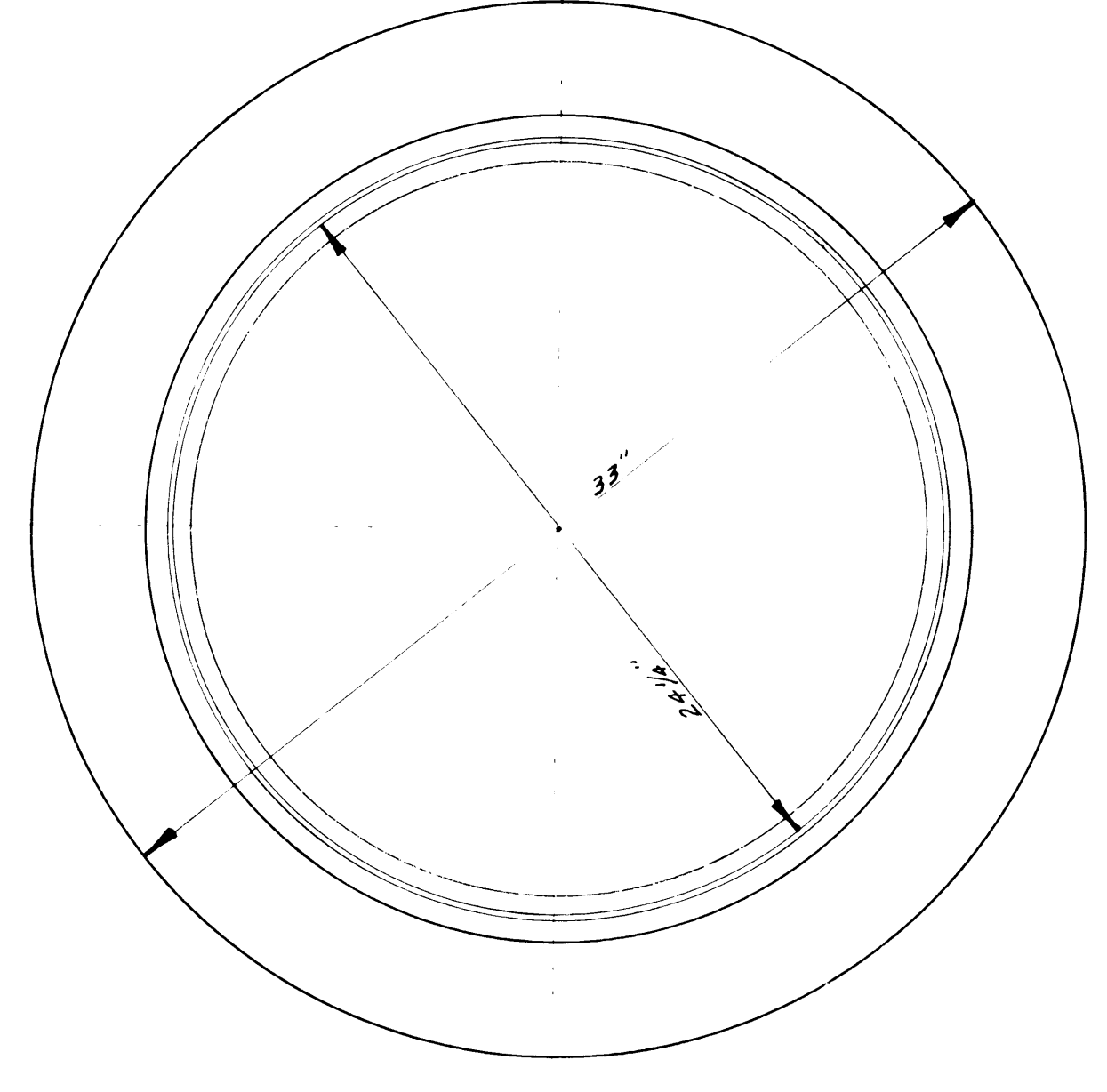
PLAN OF STANDARD COVER
TOP VIEW



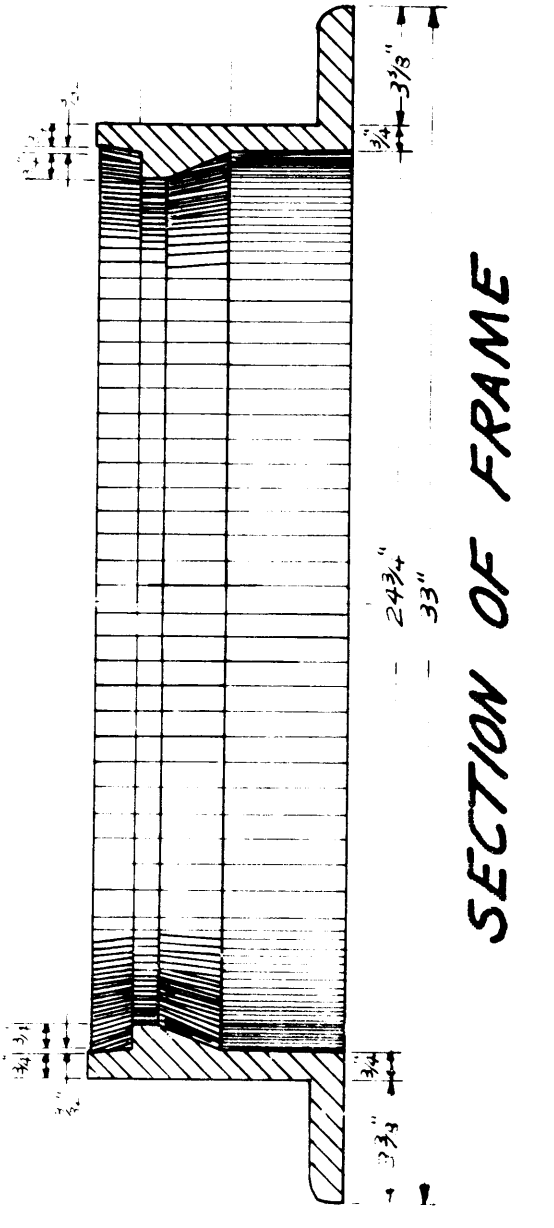
HALF PLAN OF COVER
BOTTOM VIEW



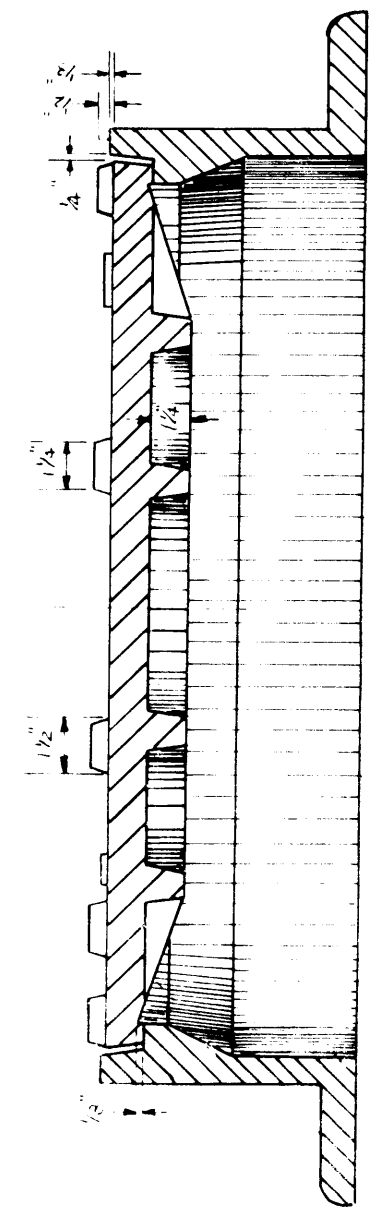
X-SECTION OF ABOVE COVER



PLAN OF FRAME



SECTION OF FRAME



SECTION OF ASSEMBLY

SPECIFICATIONS

ALL CASTINGS SHALL BE OF FOUNDRY GRADE GRAY IRON WITH STRENGTH OF 18,000 P.S.I. MINIMUM. ALL CASTINGS SHALL BE FINISHED WITH A SMOOTH SURFACE. ALL CASTINGS SHALL BE TESTED IN ACCORDANCE WITH THE REQUIREMENTS OF THE AMERICAN SOCIETY OF MECHANICAL ENGINEERS. ALL CASTINGS SHALL BE TESTED IN ACCORDANCE WITH THE REQUIREMENTS OF THE AMERICAN SOCIETY OF MECHANICAL ENGINEERS. ALL CASTINGS SHALL BE TESTED IN ACCORDANCE WITH THE REQUIREMENTS OF THE AMERICAN SOCIETY OF MECHANICAL ENGINEERS.

REGULAR AVERAGE 8.5 HP. 17.1
COVER - 185 WBS
WINGS - 225 WBS

THIS DRAWING SUPERSEDES 2-376

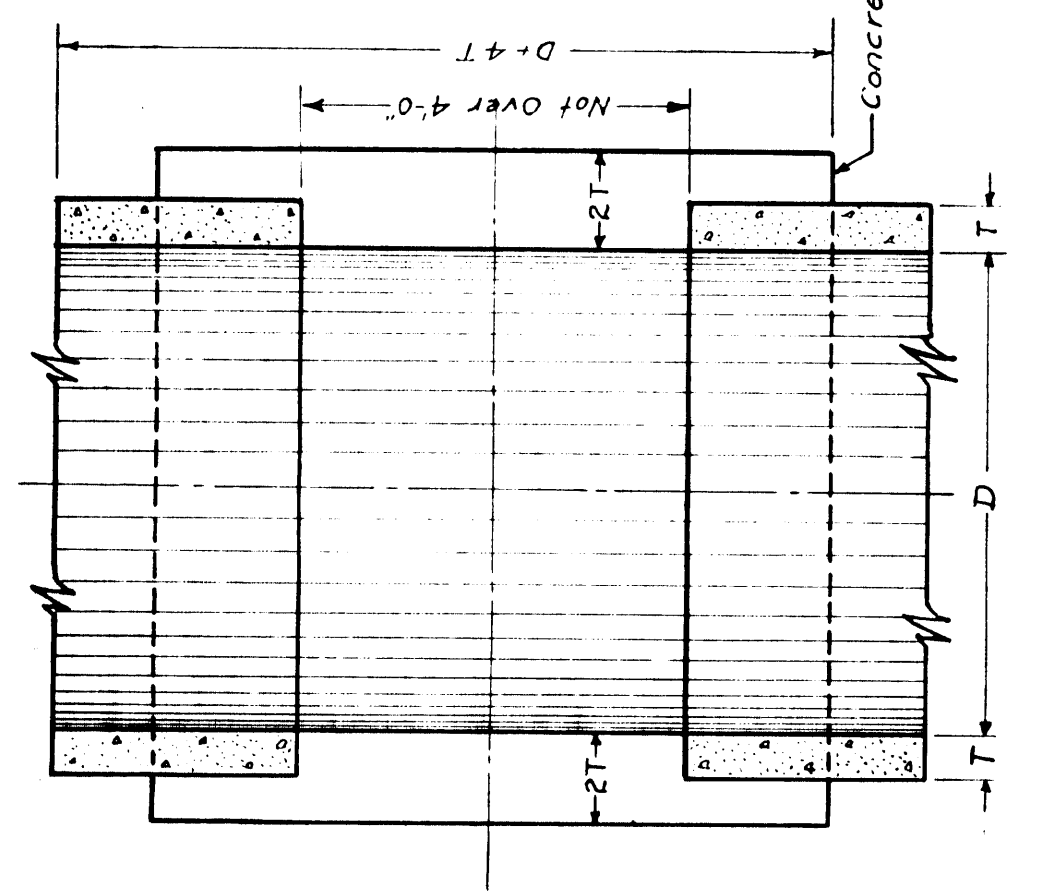
CITY OF SUPERIOR
ENGINEERING DEPARTMENT

PLAN OF MANHOLE FRAME
AND COVERS

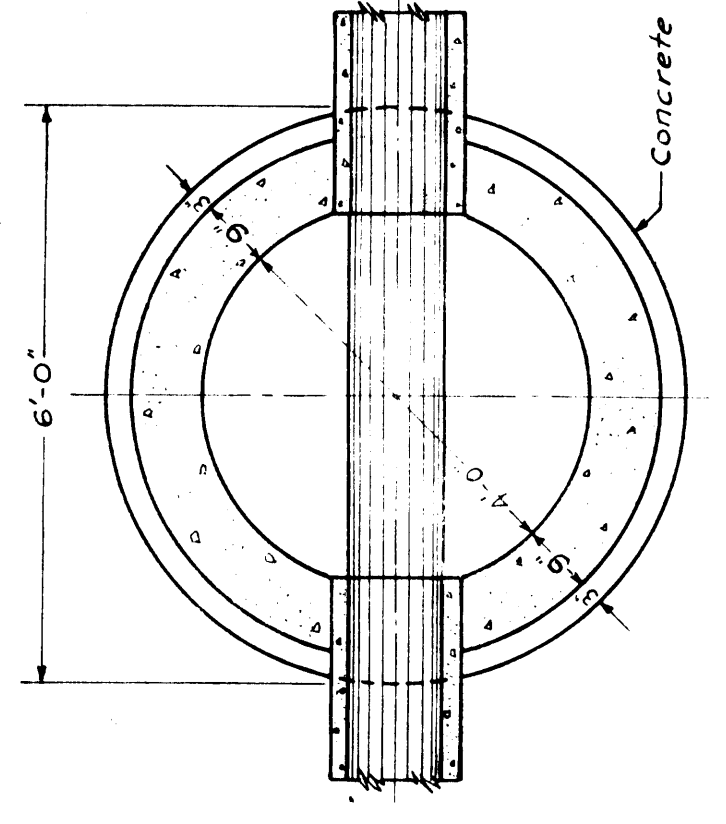
L.M.P. CITY ENGINEER

SCALE 3/4" = 1'-0"
DATE APRIL 1959

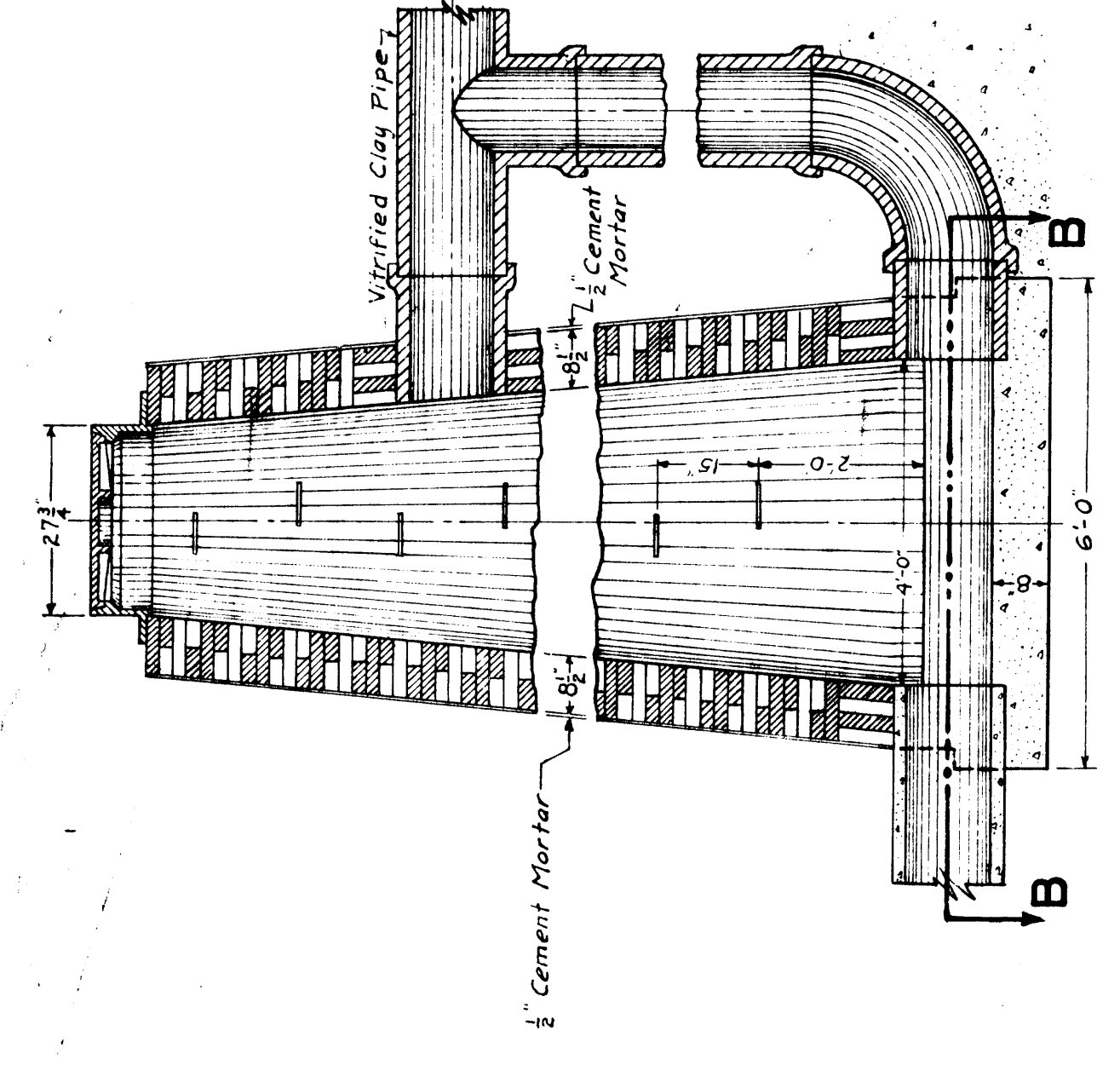
2-928



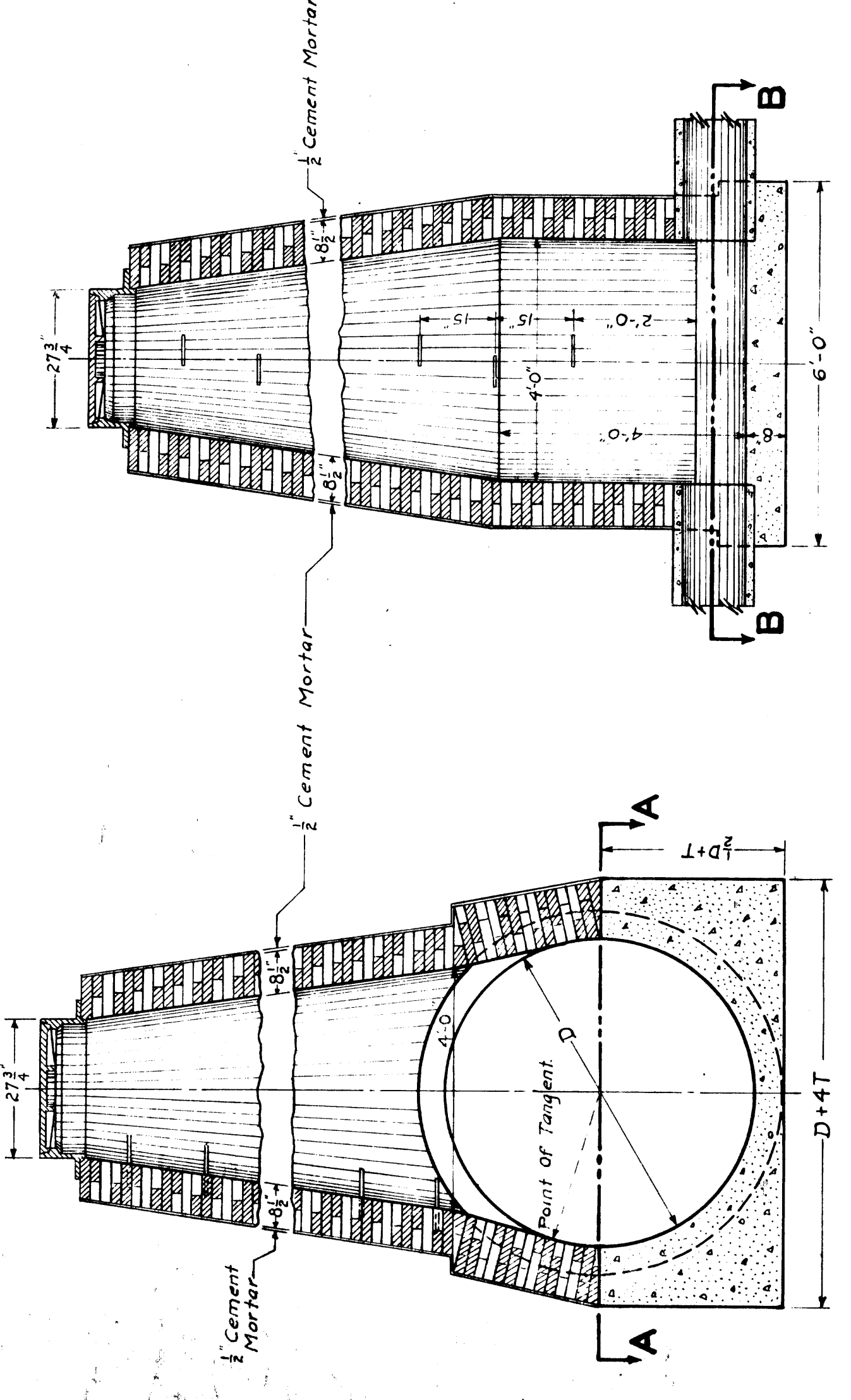
SECTION A-A



SECTION B-B
Typical Section For Standard And Drop Manholes.

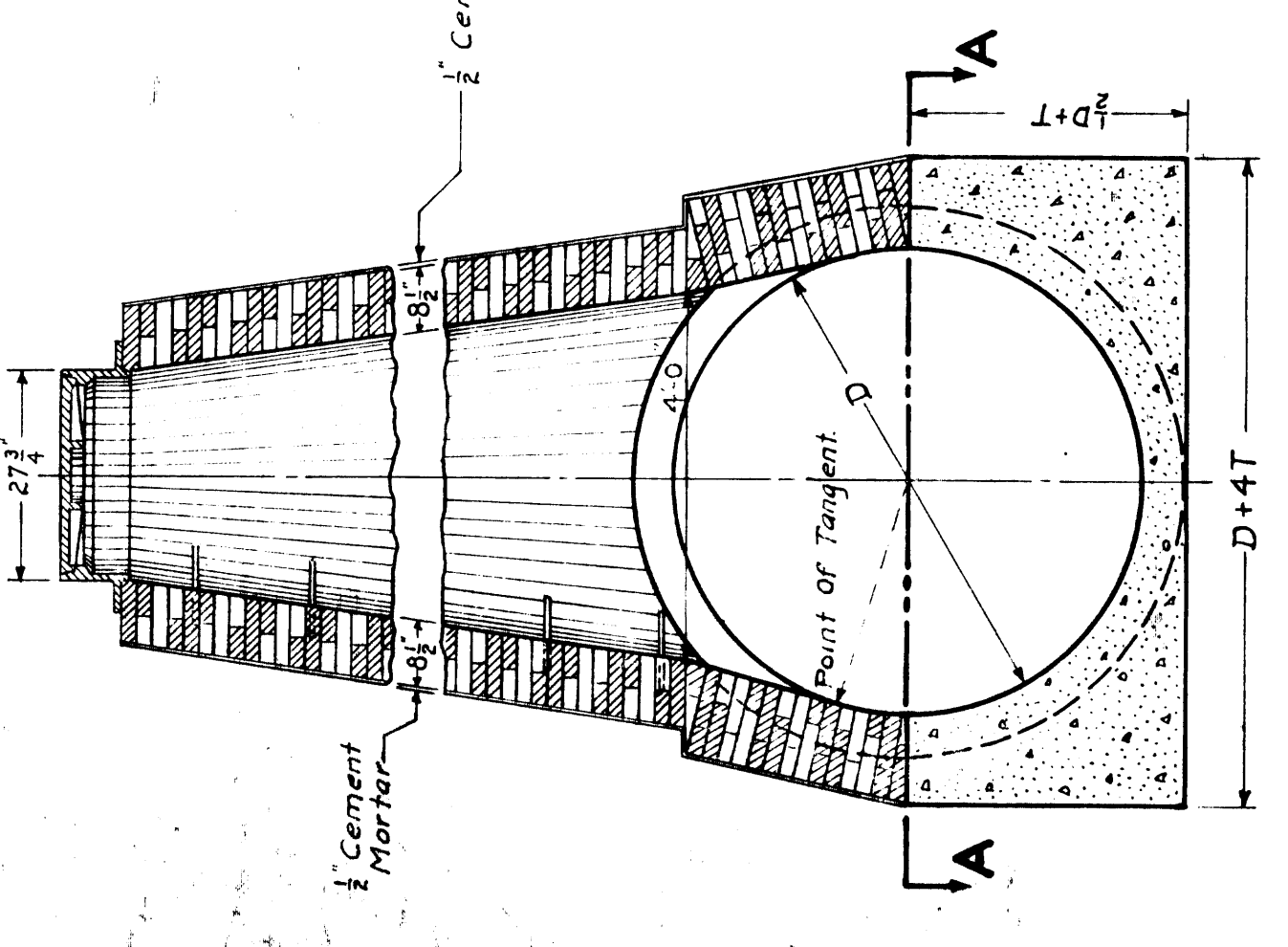


DROP MANHOLE



STANDARD MANHOLE
For Sewers Four Feet Or Less In Diameter.

For details of Frames & Covers see drawing No. 2-424



OVERSIZE MANHOLE
For Sewers More Than Four Feet In Diameter.

D = Inside Dia. of Pipe
T = Thickness of Pipe Wall

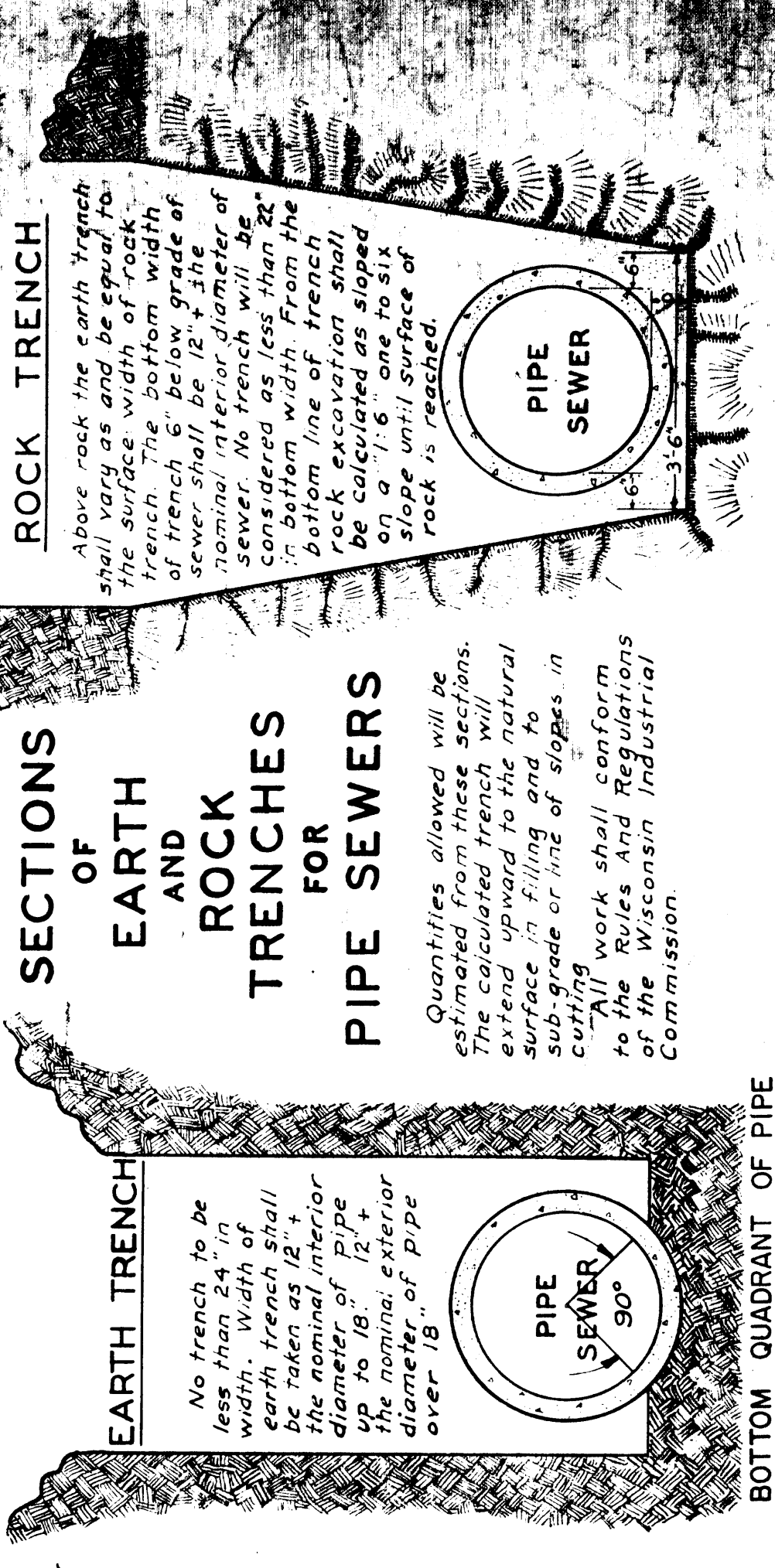
NOTES.

Standard manhole frames and covers are to be used. See Dwg. 2-464. Sewer pipes to be either vitrified clay or reinforced concrete.

SPECIFICATION.

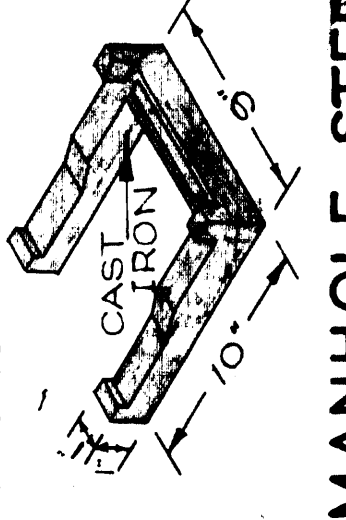
Manholes shall be constructed of brick masonry or concrete. The exterior shall be finished with a smooth surface. Excavate for concrete base to exact grade. No fill will be permitted. Concrete shall consist of 1 part cement, 2 parts sand and 3 parts gravel (1 1/2" to 3/4"). Reinforcing shall be in accordance with the connecting sewer size or equivalent. See drawing Standard Design of Reinforced Concrete Pipe. All work shall conform to the standard specifications for concrete sewer pipe construction. Section 815 of the Wisconsin State Highway Specifications. Coarse aggregate shall be size 1.

SECTIONS OF EARTH AND ROCK TRENCHES FOR PIPE SEWERS



Quantities allowed will be estimated from the sections. The calculated trench will extend upward to the natural surface in filling and to sub-grade or line of slopes in cut. All work shall conform to the Rules and Regulations of the Wisconsin Industrial Commission.

BOTTOM QUADRANT OF PIPE IN CONTACT WITH UNDISTURBED TRENCH BOTTOM



MANHOLE STEP

CITY OF SUPERIOR
ENGINEERING DEPARTMENT

STANDARD
MANHOLES & TRENCHES
FOR PIPE SEWERS

L.W. PELESKE CITY ENGINEER

SCALE - 1/2" = 1'-0" FEB. 29, 1938

DRN. BY: L.M.P. DES. L.M.P. APP. J.D. GIBSON