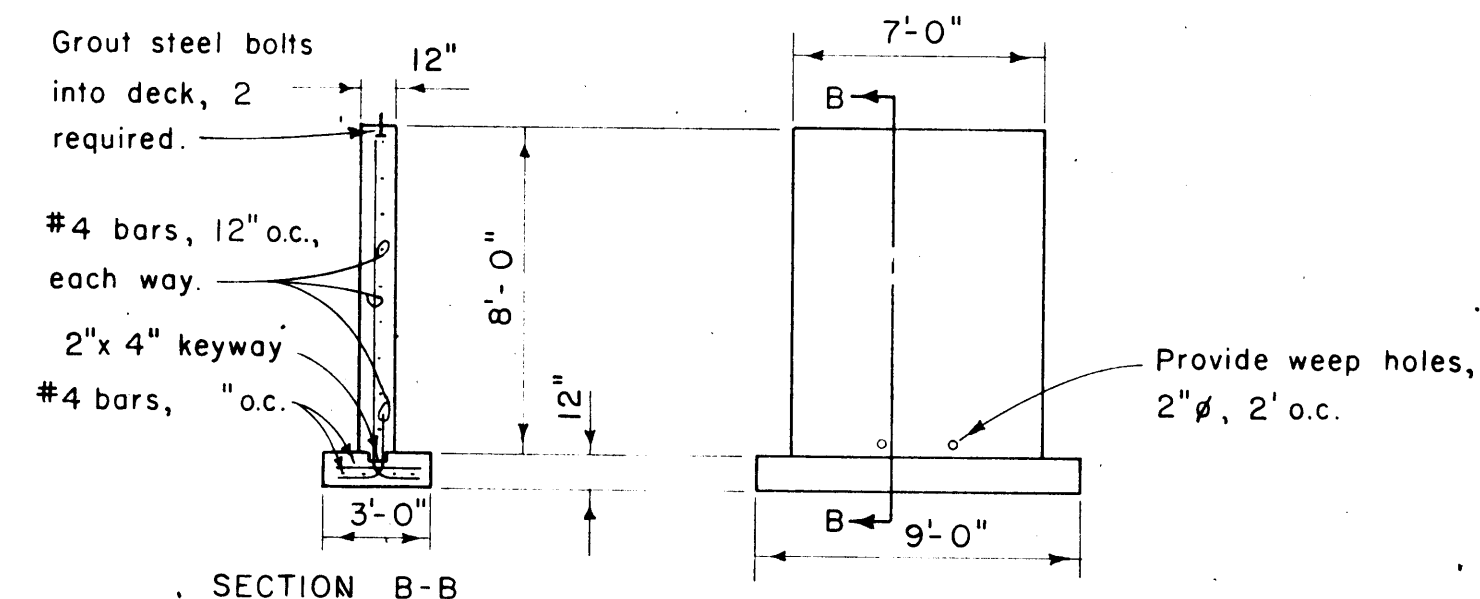
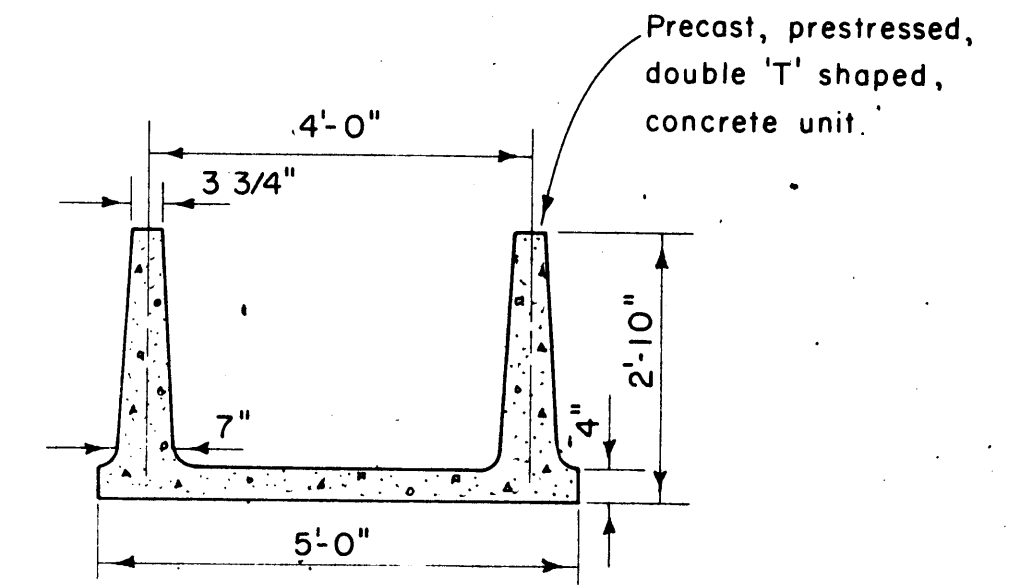


PEDESTRIAN BRIDGE
Scale: 3/16" = 1'-0"

NOTE: BRIDGE DESIGN CONDITIONS
40#/Sq. Ft. snow load.
50#/Sq. Ft. live load.
1,000# point loading.

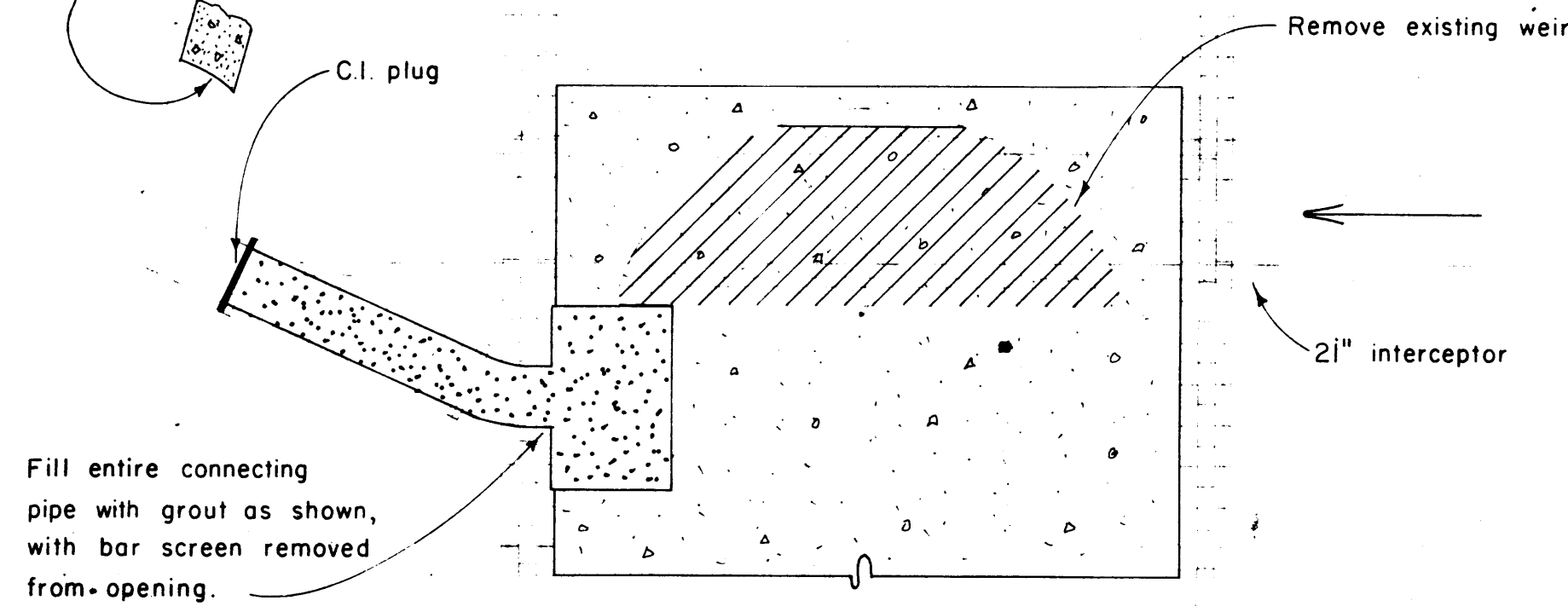


BRIDGE ABUTMENT
Scale: 3/16" = 1'-0"

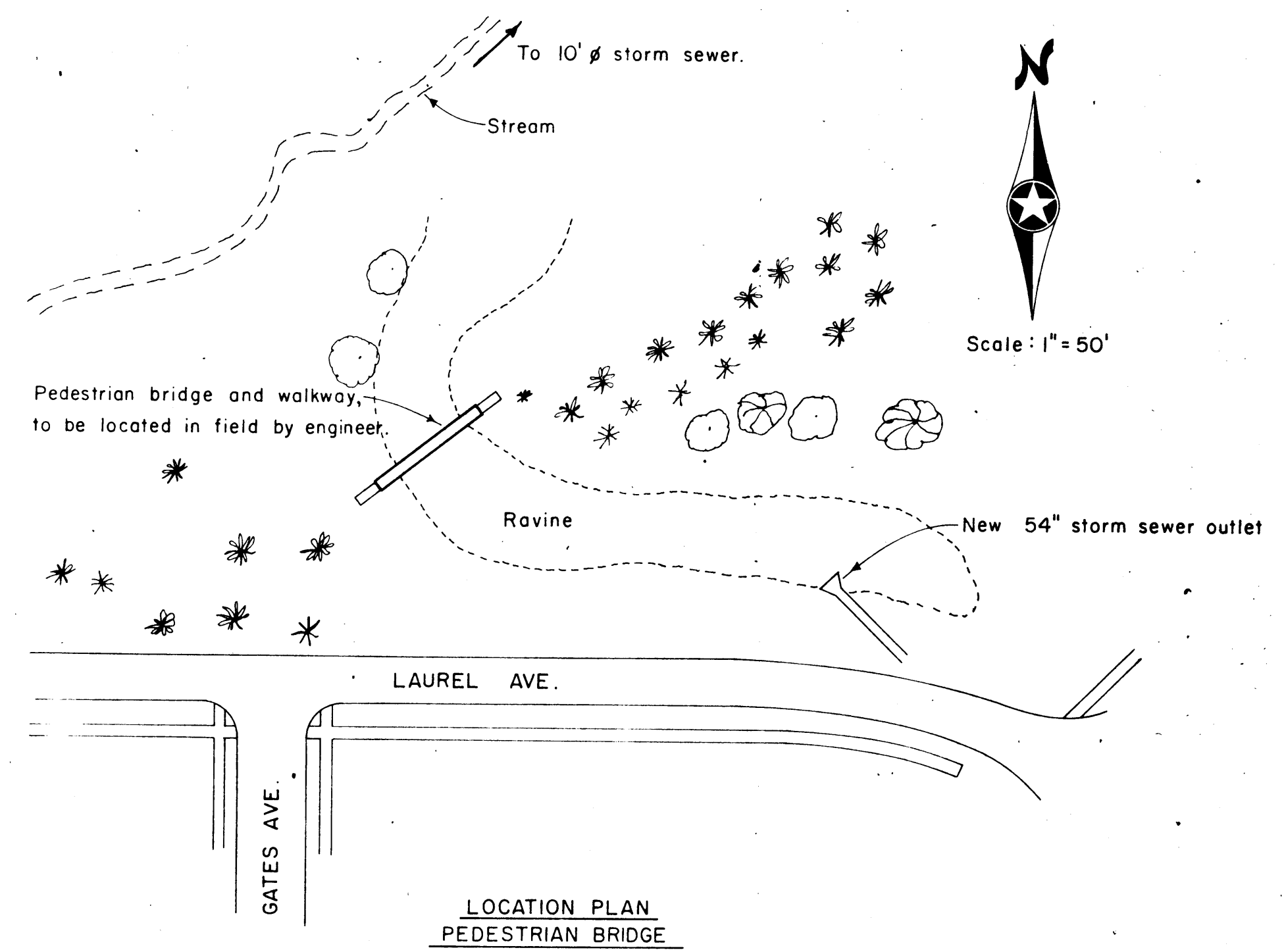


SECTION A-A
Scale: 1/2" = 1'-0"

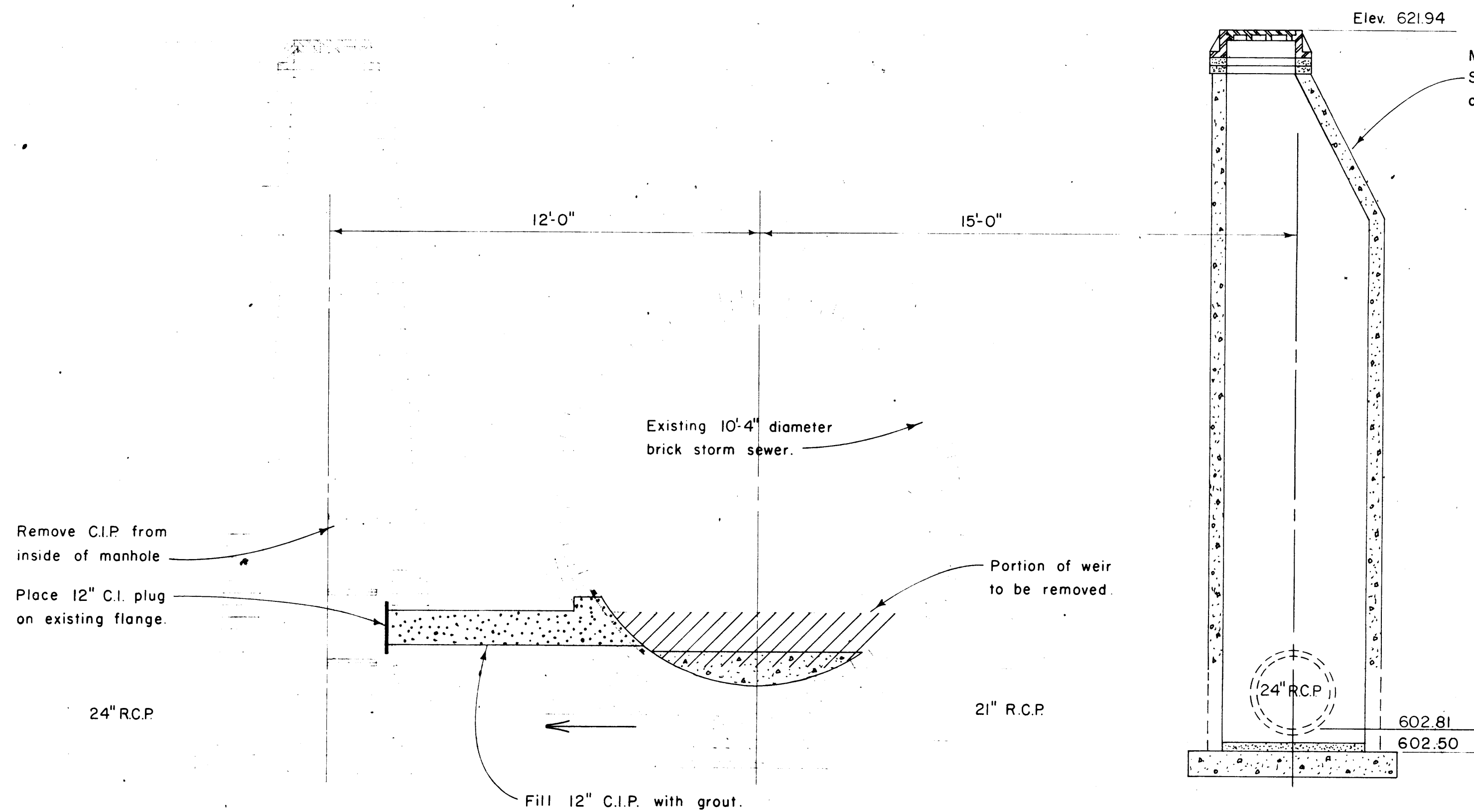
Cut 12" C.I.P. flush with manhole wall, & seal with grout as shown.



PLAN



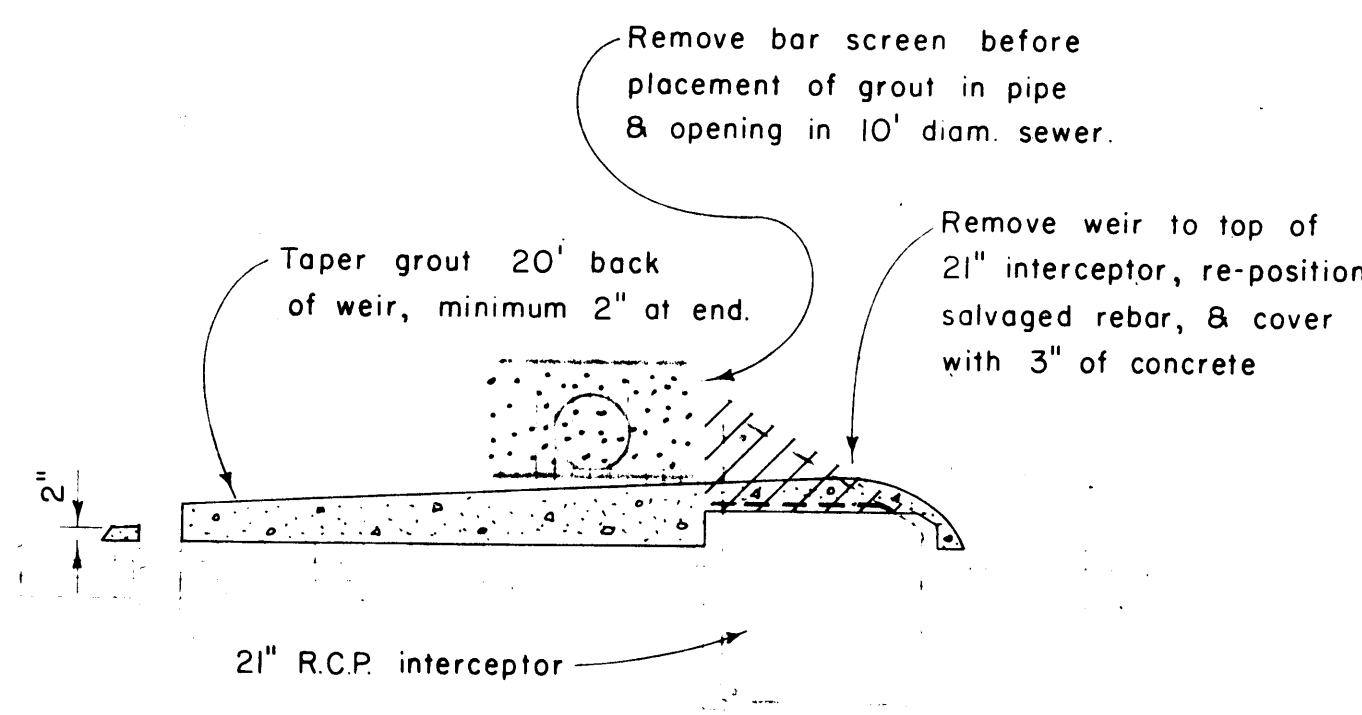
LOCATION PLAN
PEDESTRIAN BRIDGE



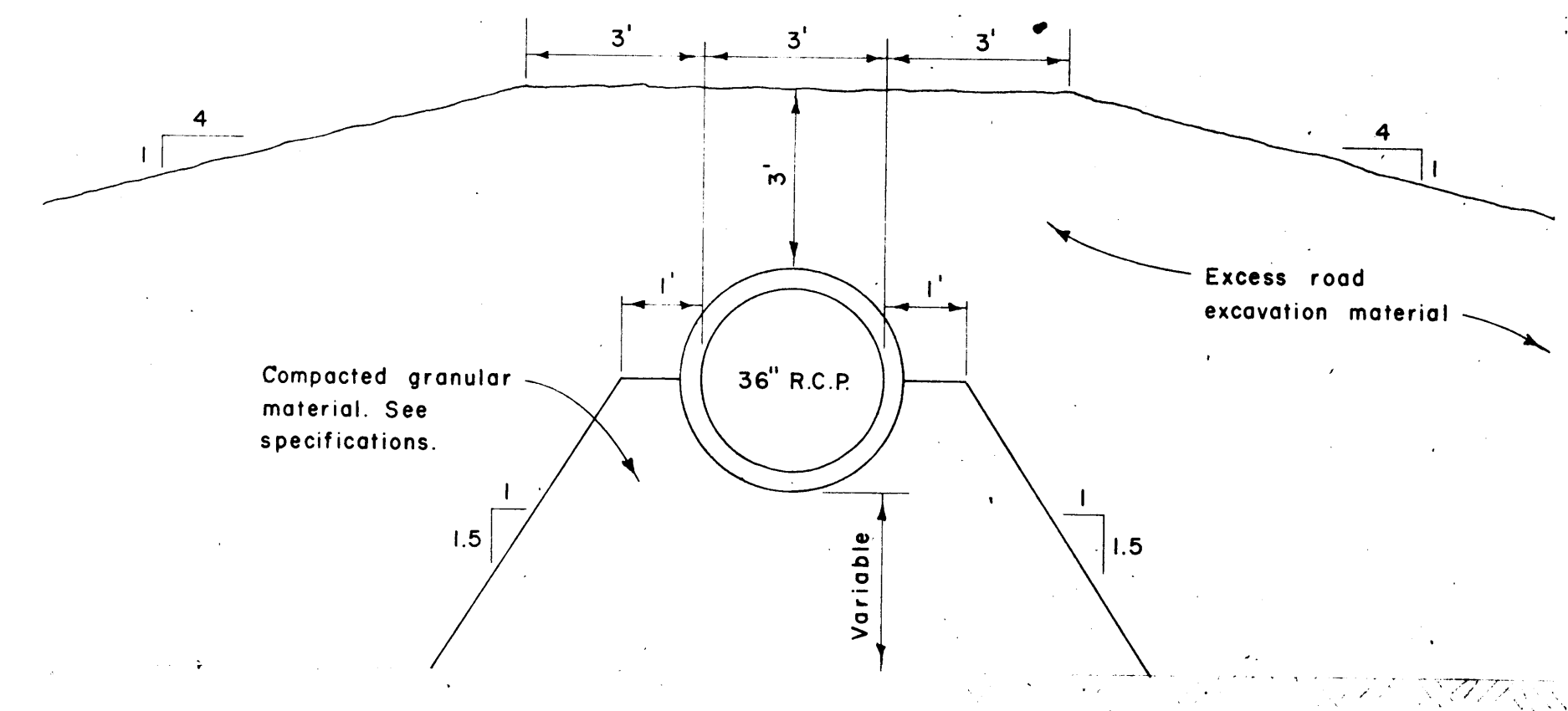
SECTION

SEWER, MODIFICATIONS (5th AVE. E. @ E. 2nd ST.)

Scale: 3/8" = 1'-0"



SIDE VIEW



PIPE BEDDING & FILL (E. 3rd ST. - 5th AVE. to 6th AVE.)

Scale: 3/8" = 1'-0"

I HEREBY CERTIFY THAT THIS PLAN WAS PREPARED BY ME OR UNDER MY DIRECT SUPERVISION AND THAT I AM A REGISTERED PROFESSIONAL ENGINEER UNDER THE LAWS OF THE STATE OF WISCONSIN.

SURVEY M.L.S. REVISIONS
DRAWN T.G.B. RECORD PLAN
DESIGN M.L.S. 11/30/77 HBR
APPROVED G.R.C.

BONESTROO, ROSENE, ANDERLIK & ASSOC., INC.
ST. PAUL, MINNESOTA

SUPERIOR, WISCONSIN
DATE: MAY 1, 1974
COMM 6888 I

DISTRICT 3A-CENTRAL PARK