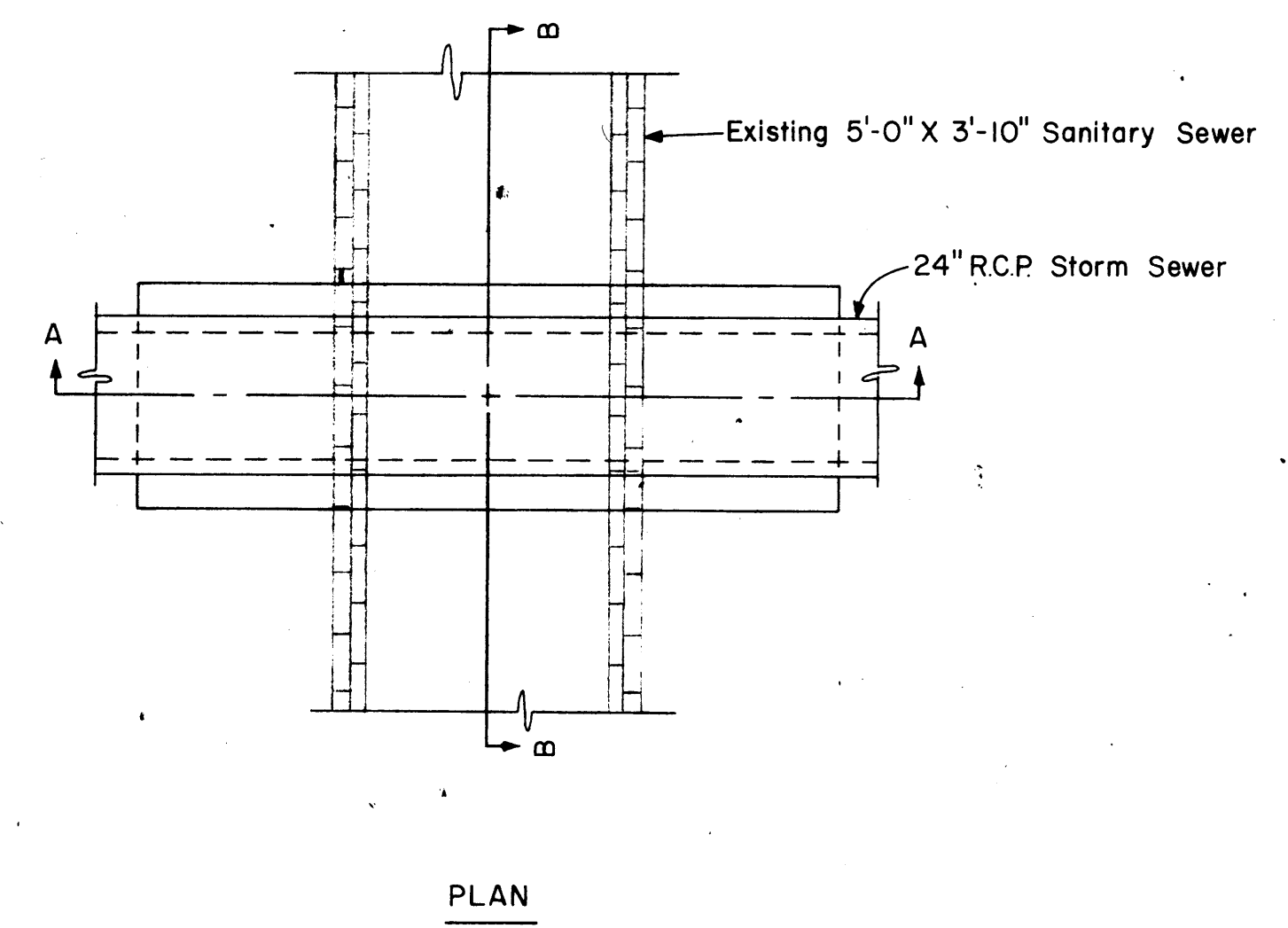
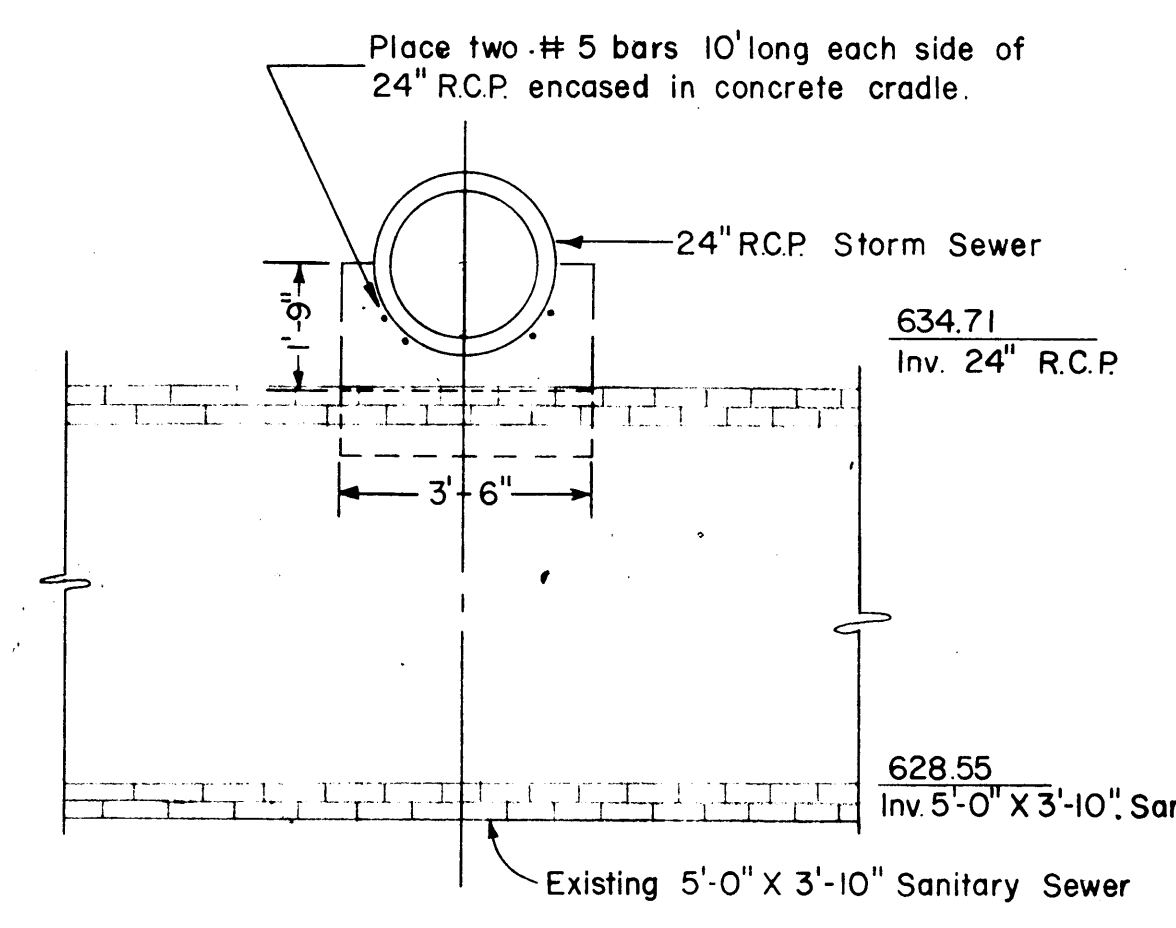


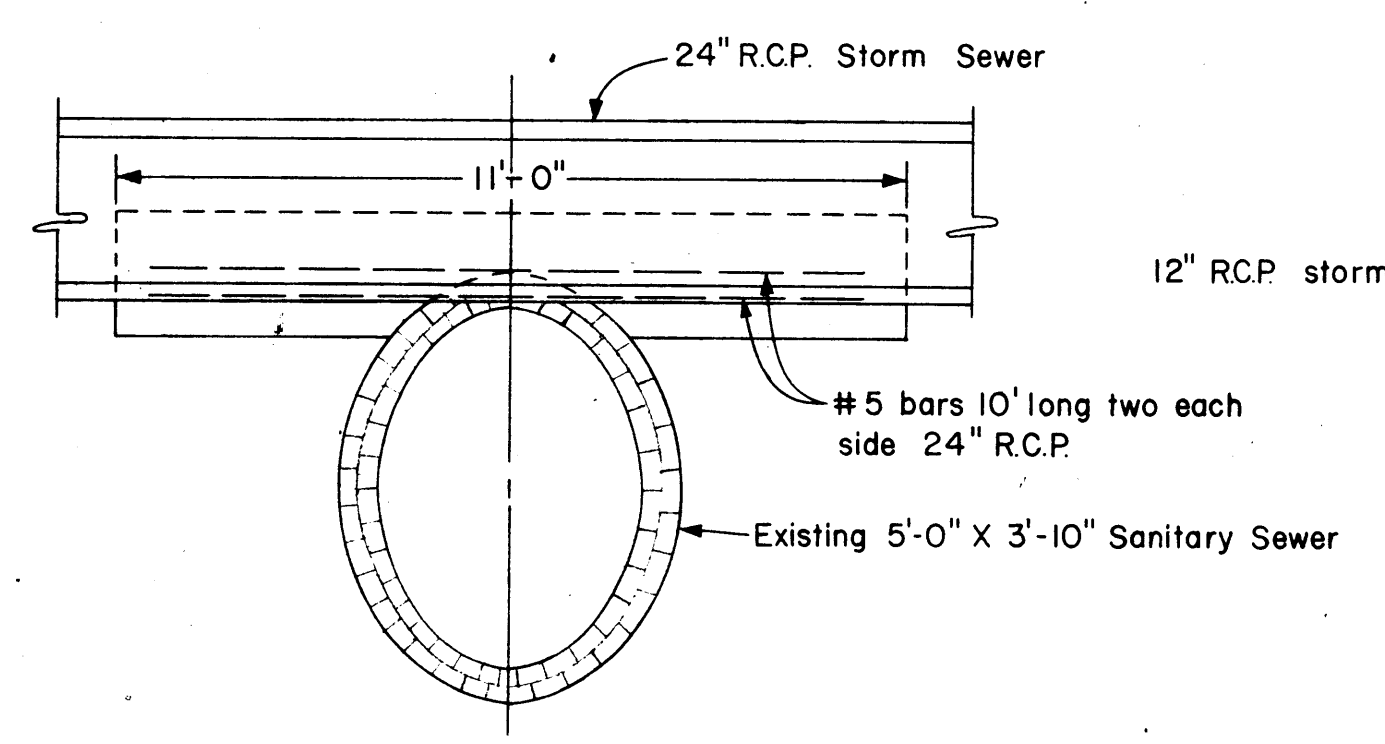
6392
Ground



PLAN



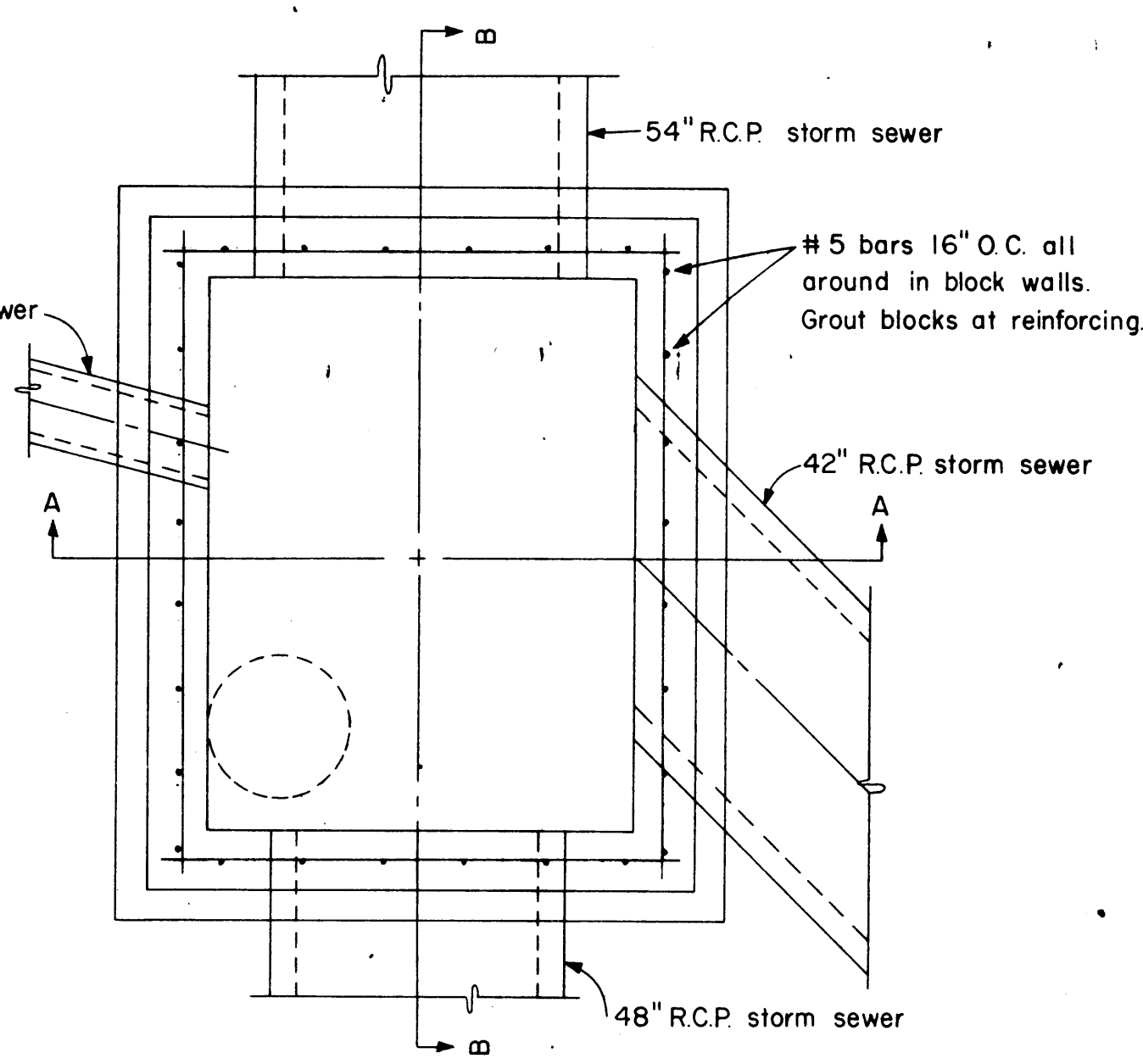
SECTION B-B



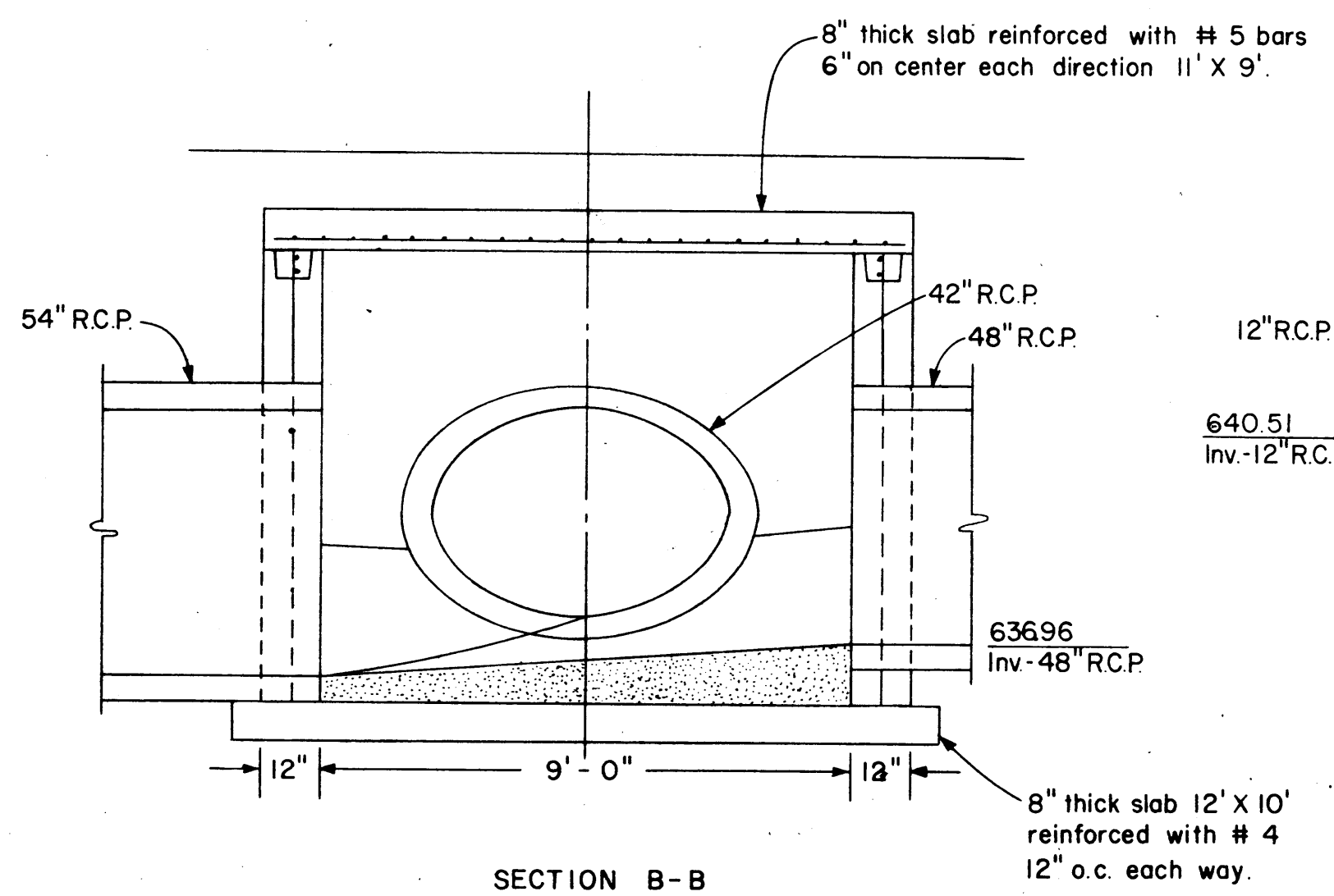
SECTION A-A

STORM CROSSING NEAR MH-S24

Scale: 3/8" = 1'-0"



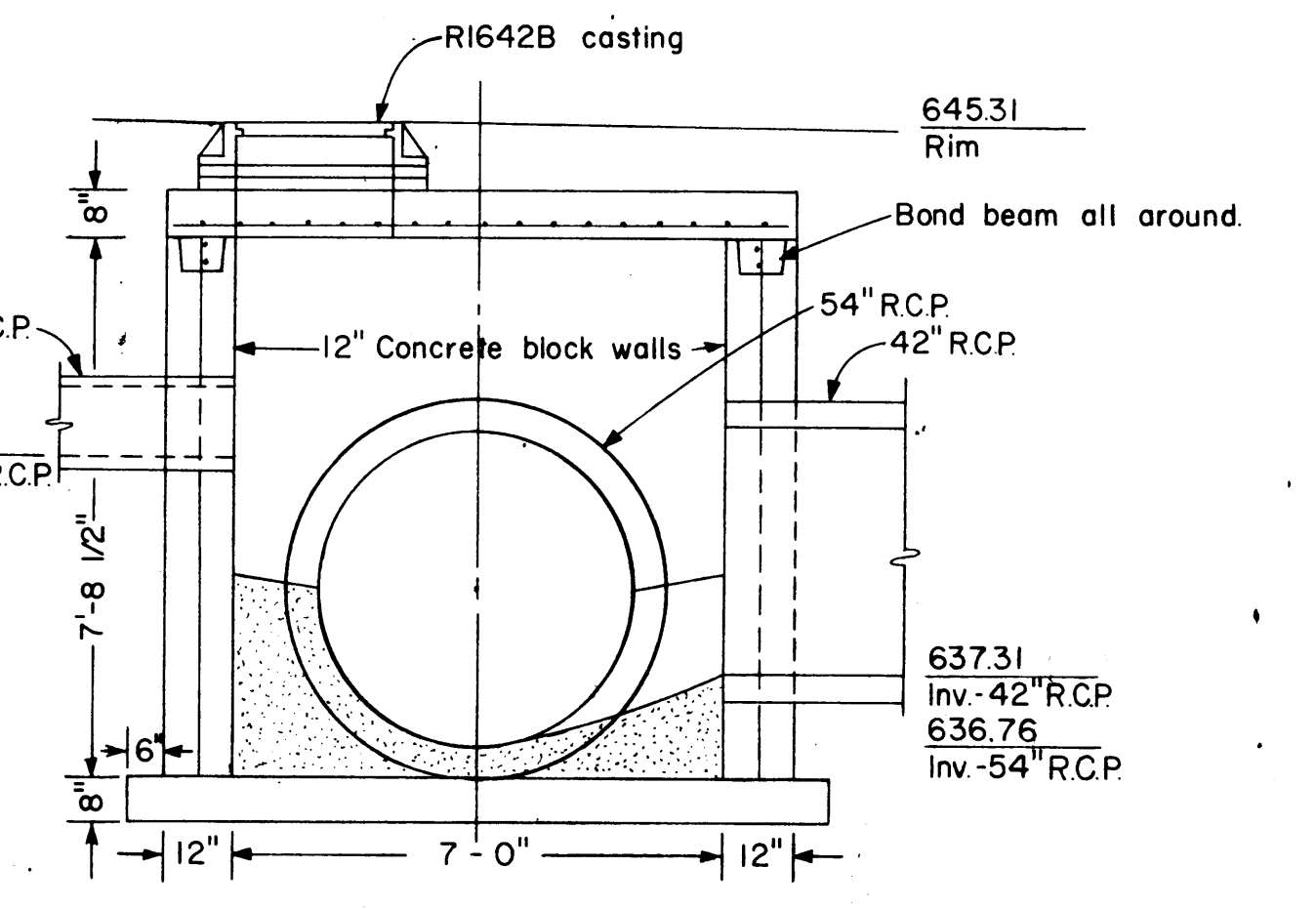
PLAN



SECTION B-B

MH-16 (CUMMINGS AVE & 23RD ST.)

Scale: 3/8" = 1'-0"



SECTION A-A

Manhole Number	Plate No.	Casting No.	Build	Manhole Number	Plate No.	Casting No.	Build	Manhole Number	Plate No.	Casting No.	Build
CBMH-1	1-13	R3246B	6.77	MH-62	1-8	R1642	4.74	CBMH-117A	Existing	Existing	---
CBMH-2	1-13	R3246B	4.96	CBMH-62A	1-13	R1642	3.85	CB-117B	Existing	Existing	---
CB-3	1-14	R1642B	4.44	CB-62B	1-14	R1642	4.10	CB-118	Existing	Existing	4.75
MH-4	1-8	R1642B	15.49	MH-64	1-8	R1642	6.69	CB-119	Existing	Existing	---
MH-5	1-8	R1642B	11.90	MH-65	1-8	R1642	4.09	MH-118	Existing	Existing	4.88
CBMH-6	1-6	R2573A	9.86	CB-65A	1-14	R246B	2.97	MH-119	Existing	Existing	---
MH-7	1-6	R1642B	9.53	CB-65B	1-14	R246B	2.97	MH-119A	Existing	Existing	6.30
MH-8	1-8	R1642B	7.56	MH-66	1-8	R1642	5.57	MH-119B	Existing	Existing	9.89
CBMH-9A	1-8	Existing	4.60	MH-66A	1-14	R246B	4.71	MH-119C	Existing	Existing	3.46
CB-9B	Existing	Existing	3.73	CB-66B	1-8	R1642	5.00	CBMH-120	Existing	Existing	---
CBMH-10	1-13	R3246B	5.70	CB-66C	1-8	R1642	5.00	CB-120B	Existing	Existing	---
CBMH-11A	1-13	R3246B	5.15	CB-66D	1-8	R1642	4.27	CBMH-121A	Existing	Existing	---
CB-11B	1-14	R3246B	2.74	CB-66E	1-14	R246B	2.74	CB-121B	Existing	Existing	---
CBMH-12A	1-13	R3246B	6.87	CBMH-67B	1-13	R246B	3.57	MH-122	Existing	Existing	5.27
CB-12B	1-14	R3246B	3.43	MH-68A	1-8	R1642	4.09	CB-122	Existing	Existing	2.47
CBMH-13A	1-13	R3246B	8.22	CB-68B	1-14	R246B	4.94	MH-123	Existing	Existing	6.00
CB-13B	1-14	R3246B	3.58	MH-68C	1-8	R1642	2.30	CBMH-124	Existing	Existing	---
CBMH-14A	1-13	R3246B	3.49	CB-68D	1-14	R246B	2.30	CB-124	Existing	Existing	---
CB-14B	1-14	R3246B	10.21	CB-68E	1-14	R246B	2.30	CBMH-125	Existing	Existing	---
CBMH-15A	1-14	R3246B	3.49	MH-68F	1-8	R1642	2.53	CB-125	Existing	Existing	---
CB-15B	1-14	R3246B	5.49	MH-69	1-8	R1642	5.05	MH-126	Existing	Existing	6.45
MH-16	See Details	R1642B	8.55	CBMH-69A	1-13	R246B	3.65	CB-126A	Existing	Existing	4.44
CB-16A	1-14	R246B	3.29	CB-69B	1-14	R246B	3.60	CB-126B	Existing	Existing	---
CBMH-17A	1-8	R2573A	7.07	CBMH-70	1-8	R246B	7.20	MH-127	Existing	Existing	15.43
CBMH-18	1-13	R3246B	5.10	MH-71	1-8	R1642	4.09	CBMH-127A	Existing	Existing	3.93
CB-18B	1-14	R3246B	4.86	CBMH-72A	1-13	R246B	4.45	CB-127B	Existing	Existing	3.46
MH-19	1-8	R2573A	5.31	CB-72B	1-14	R246B	2.87	MH-128	Existing	Existing	13.92
CB-19A	1-14	R3246B	2.86	MH-73	1-8	R1642	5.10	MH-129	Existing	Existing	10.89
CB-20	1-8	R2573A	2.55	CB-74	1-8	Existing	2.85	CBMH-129A	Existing	Existing	5.25
MH-21	1-8	R1642B	7.10	MH-75	1-8	R1642	4.75	CB-129B	Existing	Existing	---
MH-22	1-8	R1642B	5.46	CBMH-76A	1-13	R246B	4.75	MH-130	Existing	Existing	9.70
CB-22A	1-14	Existing	4.30	MH-76B	1-8	Existing	4.75	MH-130A	Existing	Existing	10.85
MH-23	1-8	R1642B	6.13	MH-77	Existing	Existing	---	MH-131	Existing	Existing	---
CB-23A	1-14	R246B	3.46	CB-77B	Existing	Existing	---	CBMH-132	Existing	Existing	---
MH-24	1-8	Existing	3.40	MH-78	Existing	Existing	---	CB-133	Existing	Existing	---
CB-24A	1-14	Existing	5.40	MH-79	1-8	R1642	4.41	MH-134	Existing	Existing	15.46
CB-24B	1-14	Existing	3.35	MH-80	1-8	R1642	7.07	MH-135	Existing	Existing	14.14
MH-25	1-8	R1642B	5.36	CB-80A	1-14	R3246B	3.67	MH-136	Existing	Existing	14.50
MH-26A	1-8	R1642B	6.37	CB-80B	1-14	Existing	4.03	CB-136	Existing	Existing	13.30
MH-26B	1-8	R1642B	4.16	MH-81	1-8	R1642	6.21	CBMH-136A	Existing	Existing	4.26
CB-26	1-14	R2573A	3.33	CB-81A	1-14	R3246B	3.64	CB-136B	Existing	Existing	4.07
MH-27	1-8	R1642B	5.59	CB-81B	1-14	R3246B	3.44	MH-137	Existing	Existing	7.85
CB-27A	1-14	R3246B	4.21	CB-82	1-8	R1642	5.65	CBMH-137A	Existing	Existing	4.85
CB-27B	1-14	R3246B	4.32	CB-82A	1-14	R3246B	4.32	CBMH-137B	Existing	Existing	4.28
MH-28	1-8	R1642B	3.11	CB-82B	1-14	R3246B	2.12	MH-138	Existing	Existing	3.22
CB-28A	1-14	R3246B	5.45	MH-84	1-8	R1642	6.45	CBMH-138A	Existing	Existing	3.65
CB-28B	1-14	R3246B	2.60	CB-84A	1-14	R246B	3.11	CBMH-138B	Existing	Existing	5.75
MH-29	1-8	R1642B	4.52	MH-85	1-8	R1642	6.05	CBMH-138C	Existing	Existing	4.00
CB-29A	1-14	Existing	2.34	CB-85A	1-14	R246B	4.21	MH-144	Existing	Existing	6.45
CBMH-30	1-13	R3246B	3.93	CB-85B	1-13	R246B	4.49	CBMH-144A	Existing	Existing	3.33
CBMH-31A	1-13	R3246B	4.23	CB-86	1-8	R1642	4.26	CB-144	Existing	Existing	2.60
CB-31B	1-14	R3246B	7.09	CB-86A	1-14	Existing	3.62	CBMH-146A	Existing	Existing	3.67
MH-31	1-8	R1642B	7.04	CB-86B	1-8	Existing	---	CB-146B	Existing	Existing	3.32
CBMH-32	1-13	R3246B	6.01	MH-88	1-8	R1642	6.47	MH-160	Existing	Existing	5.76
MH-33	1-8	R1642B	4.90	CB-88	1-14	R246B	4.13	CB-160A	Existing	Existing	3.94
CB-33A	1-14	R2573A	4.09	CB-88B	1-14	R246B	4.13	CB-160B	Existing	Existing	4.67
MH-34	1-8	R1642B	6.44	CBMH-89	1-13	R3246B	8.10	MH-161	Existing	Existing	6.69
MH-35	1-8	R1642B	5.46	CB-90	1-8	R1642	4.16	CBMH-162	Existing	Existing	4.28
CBMH-36	1-13	R3246B	4.03	MH-91	1-8	R1642	6.47	CBMH-162A	Existing	Existing	4.33
MH-36A	1-8	R1642B	4.03	CBMH-91A	1-13	R3246B	4.27	CBMH-166	Existing	Existing	4.65
CB-37A	Existing	Existing	---	CBMH-91B	1-17	R3246B	3.90	MH-166A	Existing	Existing	6.11
MH-38	Existing	Existing	---	CB-91C	1-14	R3246B	2.95	CBMH-167	Existing	Existing	3.44
CB-38A	1-14	R1642	4.02	MH-92	1-8	R1642	4.02	MH-168	Existing	Existing	3.87
MH-39	1-8	R1642B	3.72	CB-92A	1-14	R3246B	3.87	MH-169	Existing	Existing	4.90
CB-39A	1-14	R1642	6.05	CB-92B	1-14	R3246B	3.13	CBMH-169A	Existing	Existing	3.06
MH-40	1-8	R1642B	3.07	CB-92C	1-14	R3246B	2.89	CB-170	Existing	Existing	3.10
CBMH-41A	Existing	Existing	---	CBMH-93	1-13	R3246B	2.99	CB-170A	Existing	Existing	4.94
CB-41B	Existing	Existing	---	CBMH-93A	1-13	R3246B	2.99	CB-170B	Existing	Existing	3.74
MH-42	1-8	R1642B	4.41	CB-94	1-14	R3246B	2.37	CB-171	Existing	Existing	2.81
CB-42A	1-14	R246B	4.01	MH-94	1-8	R1642	5.16	MH-181	Existing	Existing	4.27
MH-42B	1-8	Existing	2.69	CB-94A	1-14	R3246B	3.37	CBMH-182	Existing	Existing	3.25
MH-43	1-8	R1642B	10.24	CB-94B	1-14	R3246B	4.11	CB-182A	Existing	Existing	2.88
MH-44	1-8	R1642B	9.65	MH-95	1-8	R1642	4.50	CB-182B	Existing	Existing	6.52
MH-45	1-8	R1642B	9.41	CBMH-96	1-13	R3246B	7.70	CB-184	Existing	Existing	3.41
CB-45A	1-14	R3246B	3.70	CBMH-96A	1-13	R3246B	4.74	CBMH-184	Existing	Existing	7.87
MH-46	1-8	R1642B	4.05	MH-97	1-8	R1642	4.70	CB-184A	Existing	Existing	3.17
MH-47	1-8	R1642B	4.40	CB-97	1-13	R3246B	6.59	CBMH-186	Existing	Existing	3.15
CB-47A	1-14	R3246B	4.74	MH-98	1-8	R1642	7.44	CB-187	Existing	Existing	4.35
CB-47B	1-14	R3246B	4.45	CBMH-100	1-13	R3246B	6.47	CBMH-187	Existing	Existing	3.32
CB-48	1-14	R1642B	3.47	MH-101	1-8	R1642	4.00	CB-188	Existing	Existing	2.40
MH-49	1-8	R1642B	3.77	CB-102	1-8	R1642	4.82	CBMH-189	Existing	Existing	4.9
MH-49A	1-8	R1642B	4.55	MH-104	1-8	R1642	5.04	CBMH-190	Existing	Existing	4.94
MH-50	1-8	R1642B	7.70	CB-104A	1-14	R3246B	3.94	CBMH-191	Existing	Existing	3.74
CB-50A	1-14	R246B	4.06	CB-104B	1-14	R3246B	3.94	CBMH-191A	Existing	Existing	3.07
MH-51	1-8	R1642B	7.20	MH-105	1-8	R1642B	4.09	CB-171	Existing	Existing	3.72
CB-51A	1-14	R246B	4.44	CB-105A	1-14	R3246B	3.10	CBMH-172A	Existing	Existing	3.89
CB-51B	1-14	R246B	4.00	CB-105B	1-14	R3246B	3.29	CB-172B	Existing	Existing	3.26
MH-52	1-8	R1642B	7.73	MH-106	1-8	R1642	6.40	CBMH-177	Existing	Existing	2.68
MH-53	1-8	R1642B	7.41	CB-106	1-8	R1642	6.40	CBMH-177A	Existing	Existing	3.70
CB-53A	1-14	R3246B	2.89	MH-107	1-8	R1642	5.43	CB-177	Existing	Existing	---
CB-53B	1-13	R3246B	4.17	MH-107A	1-8	R1642	5.47	CBMH-177A	Existing	Existing	---
MH-54	1-8	R1642B	5.30	MH-108	1-8	R1642	5.47	CBMH-177B	Existing	Existing	---
CB-54A	1-14	R3246B	4.10	CBMH-108A	1-14	R3246B	4.46	CB-179	Existing	Existing	---
CB-54B	1-13	R3246B	4.60	CBMH-108B	Existing	Existing</					