

PRELIMINARY FOUNDATION AND POLE ASSEMBLY DRAWING

POLE ID	POLE HEIGHT ft (m)	# OF LUMINAIRES	ASSEMBLED POLE WEIGHT ³ lb (kg)
P1	50 (15.2)	2	626 (284)
P2	50 (15.2)	4	974 (442)

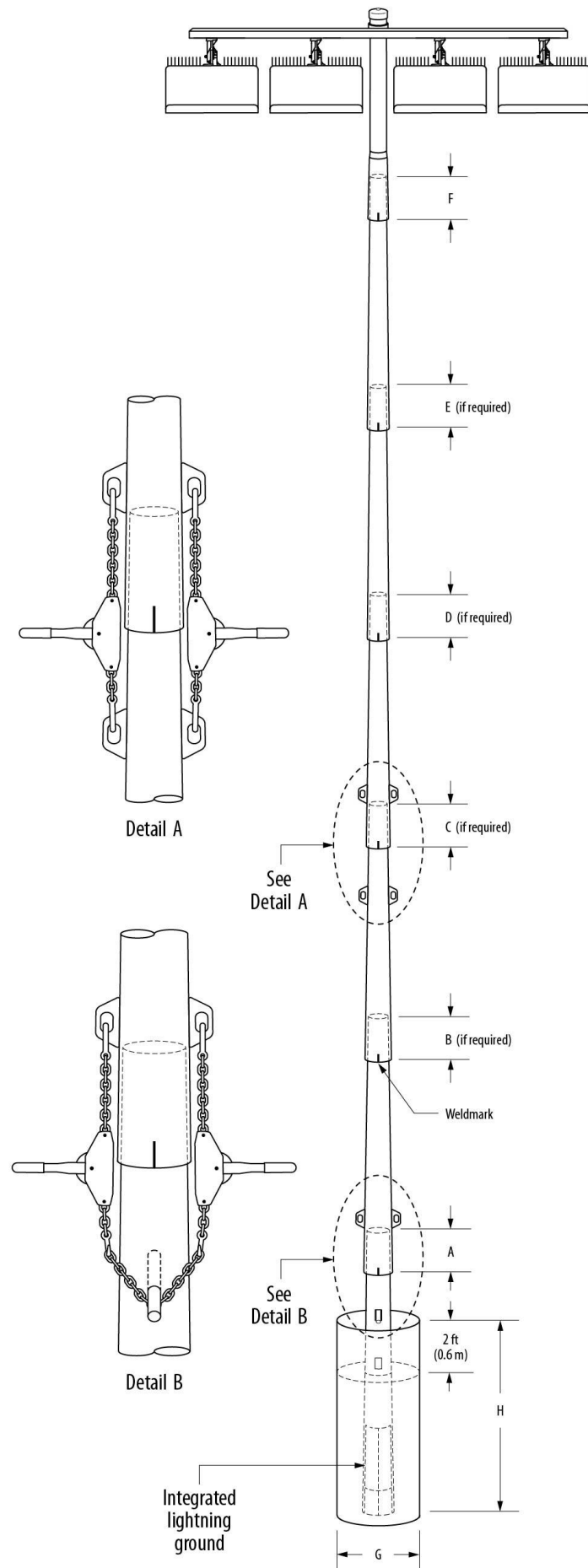
POLE ID	CONCRETE BASE WEIGHT lb (kg)	BURIAL INFORMATION ^{3,4}		CUT BASE	LIGHTNING GROUND ⁵	
		G in (mm)	H ft (m)		CONCRETE BACKFILL ^{1,2} yd ³ (m ³)	TYPE
P1	1110 (503)	30 (762)	8 (2.4)	NO	INTEGRATED ⁶	N/A
P2	1860 (844)	30 (762)	10 (3.0)	NO	INTEGRATED ⁶	N/A

Pole Assembly Notes:

1. Steel pole should overlap concrete base and be seated tight with 1 1/2 ton come-alongs (contractor provided).
2. Align weldmarks on steel sections before assembling.
3. Assembled pole weight includes steel sections, crossarms, luminaires, and electrical components enclosures. If pole has stamped structural design then use pole weight (listed as vertical force) on stamped structural design document.
4. Section overlap must be pulled together until tight. Overlap measurement should be +/- 6 in (150 mm).
5. This document is not intended for use as an assembly instruction. See *Installation Instructions: Light-Structure System™ Lighting System* for complete assembly procedure.

Foundation Notes:

1. Concrete backfill is calculated to 2 ft (0.6m) below grade (no overage included). Top 2 ft (0.6m) to be class 5 soil compacted to 95% density of surrounding undisturbed soil unless otherwise specified in stamped structural design.
2. Concrete backfill required 3000 lb/in² (20 MPa) minimum.
3. Foundation design per 2015 IBC, 115 mph, exposure category C, variation STD (Risk Category II).
4. Assumes IBC class 5 soils.
5. Standard bases include integrated lightning protection. If bases are cut, supplemental lightning protection is required. Contact Musco for materials and instruction.
6. Lightning protection is a manufacturer installed concrete encased electrode and connector. Ground connection is made when concrete base is installed and footing is poured. No additional steps required.



R60-62-00-en04-01_B

Red Barn Ice Skating Rink - Superior, WI, USA

Date: 05/02/2024

Scale: Not to Scale

Representative: Greg Smidt

Page: 1 of 1

Project: 236097

PRELIMINARY

